

**Climax Metal Products Company**

8141 Tyler Boulevard

Mentor, Ohio 44060

USA

Toll free: 800-542-6552

Phone: 440-585-0300

Fax: 800-860-5553

Email: [sales@climaxmetal.com](mailto:sales@climaxmetal.com)Website: [www.climaxmetal.com](http://www.climaxmetal.com)

## ITEM # C-137-A, SET SCREW COLLAR C-SERIES

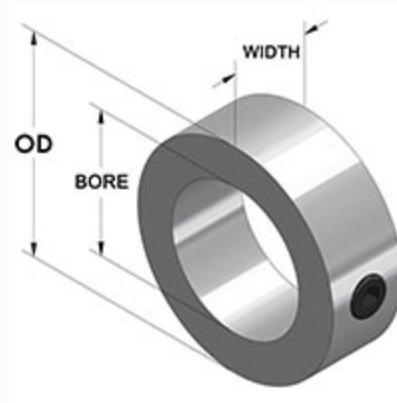
Aluminum Set Screw Collar. Traditional cost effective collar design.



[Drawing](#) | [Specifications](#) |

### Drawing

#### Dimensional Drawing



Set Screw Collar

### Specifications

<b>Bore</b>	1 3/8 in
<b>OD</b>	2 1/8 in
<b>Width</b>	3/4 in
<b>Style</b>	Set Screw
<b>Material</b>	Aluminum, ASTM B211
<b>Finish</b>	Plain
<b>Set Screw</b>	Hex Socket Set Screw, 3A Thread, Steel, ASTM F912: 3/8-16 x 3/8
<b>Approximate Weight</b>	2.20 oz
<b>UPC Code</b>	044861004401
<b>Downloads</b>	<a href="#">Catalog Page</a>

### Competitor Part Number

<b>Alternate Part Number</b>	101417132 175D01757 4959717 6A106 9946K31 C137A SC-22-A
------------------------------	---