



Climax Metal Products Company

8141 Tyler Boulevard
Mentor, Ohio 44060
USA

Toll free: 800-542-6552

Phone: 440-585-0300

Fax: 800-860-5553

Email: sales@climaxmetal.com

Website: www.climaxmetal.com

ITEM # H1C-175, ONE-PIECE CLAMPING COLLAR RECESSED SCREW H1C-SERIES

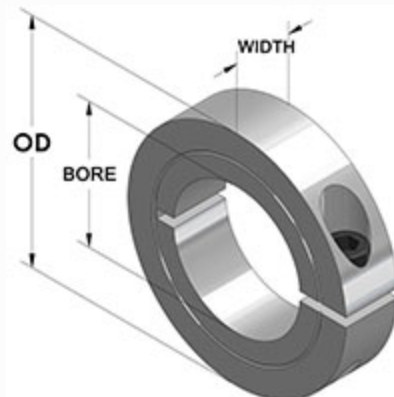
Black Oxide Plated Steel One-Piece Clamping Collar - Recessed Screw Head. Recessed Screw Head provides an outside surface free of major projections for safety. Design fully engages the shaft without marring. Greater axial holding power than set screw collars. Effective on hard & soft shafts.



[Drawing](#) | [Specifications](#) |

Drawing

Dimensional Drawing



One-Piece Clamping Collar Recessed Screw

Specifications

Bore	1 3/4 in
OD	3 in
Width	5/8 in
Style	One-Piece Clamp
Material	Steel, ASTM A108
Finish	Black Oxide
Clamp Screw	Hex Socket Cap Screw, 3A Thread, Steel, ASTM A574: 5/16-24 x 1
Recessed Screw	Yes
Approximate Weight	12.10 oz
UPC Code	044861157503
Downloads	Catalog Page

Competitor Part Number

Alternate Part Number	101783929
	1570030
	175D03156
	1L112
	214120
	214121
	214122
	34363
	890542
	CSC175
	H1C175