

**Climax Metal Products Company**

8141 Tyler Boulevard
Mentor, Ohio 44060
USA

Toll free: 800-542-6552

Phone: 440-585-0300

Fax: 800-860-5553

Email: sales@climaxmetal.com

Website: www.climaxmetal.com

ITEM # C-131-A, SET SCREW COLLAR C-SERIES

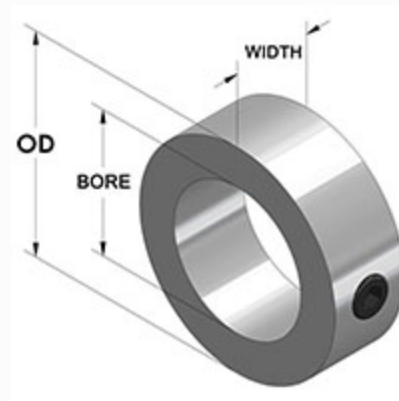
Aluminum Set Screw Collar. Traditional cost effective collar design.



[Drawing](#) | [Specifications](#) |

Drawing

Dimensional Drawing



Set Screw Collar

Specifications

Bore	1 5/16 in
OD	2 1/8 in
Width	11/16 in
Style	Set Screw
Material	Aluminum, ASTM B211
Finish	Plain
Set Screw	Hex Socket Set Screw, 3A Thread, Steel, ASTM F912: 3/8-16 x 3/8
Approximate Weight	2.20 oz
UPC Code	044861004395
Downloads	Catalog Page

Competitor Part Number

Alternate Part Number	101418030 175D01756 4959716 6A105 9946K29 C131A SC-21-A
------------------------------	---------------------------------------------------------------------------