

**Climax Metal Products Company**

8141 Tyler Boulevard
Mentor, Ohio 44060
USA

Toll free: 800-542-6552

Phone: 440-585-0300

Fax: 800-860-5553

Email: sales@climaxmetal.com

Website: www.climaxmetal.com

ITEM # M2C-03-S, METRIC TWO-PIECE CLAMPING COLLAR M2C-SERIES

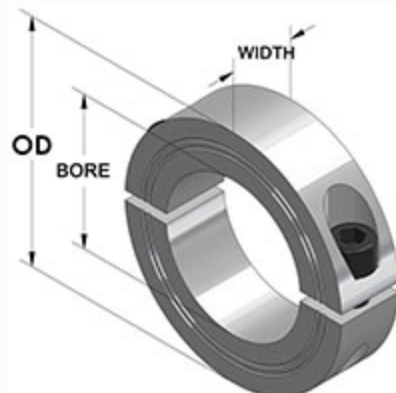
Stainless Steel Metric Two-Piece Clamping Collar. Design fully engages the shaft without marring. Easily installed where major disassembly would otherwise be required. Greater axial holding power than set screw or one-piece clamping collars. Effective on hard & soft shafts.



[Drawing](#) | [Specifications](#) |

Drawing

Dimensional Drawing



Metric Two-Piece Clamping Collar

Specifications

| | |
|---------------------------|---|
| Bore | 3 mm |
| OD | 11/16 in |
| Width | 9 mm |
| Style | Two-Piece Clamp |
| Material | Stainless Steel, ASTM A582 |
| Finish | Plain |
| Clamp Screw | Hex Socket Cap Screw, Stainless Steel, Metric: M3 x 8 |
| Recessed Screw | No |
| Approximate Weight | 0.40 oz |
| UPC Code | 044861435137 |
| Downloads | Catalog Page |

Competitor Part Number

| | |
|------------------------------|-----------|
| Alternate Part Number | 0404493 |
| | 101969975 |
| | 175D25991 |
| | 2279025 |
| | 2337468 |
| | 2758482 |
| | 2ANC2 |
| | 8699281 |
| | M2C03S |
| | MSP3SS |
| | MSP-3-SS |