

**Climax Metal Products Company**

8141 Tyler Boulevard

Mentor, Ohio 44060

USA

Toll free: 800-542-6552

Phone: 440-585-0300

Fax: 800-860-5553

Email: [sales@climaxmetal.com](mailto:sales@climaxmetal.com)Website: [www.climaxmetal.com](http://www.climaxmetal.com)

## ITEM # 1C-156-A, ONE-PIECE CLAMPING COLLAR 1C-SERIES

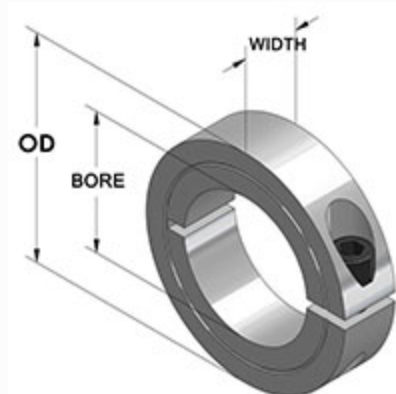
Aluminum One-Piece Clamping Collar. Design fully engages the shaft without marring. Greater axial holding power than set screw collars. Effective on hard & soft shafts.



[Drawing](#) | [Specifications](#) |

### Drawing

#### Dimensional Drawing



One-Piece Clamping Collar

### Specifications

<b>Bore</b>	1 9/16 in
<b>OD</b>	2 3/8 in
<b>Width</b>	9/16 in
<b>Style</b>	One-Piece Clamp
<b>Material</b>	Aluminum, ASTM B211
<b>Finish</b>	Plain
<b>Clamp Screw</b>	Hex Socket Cap Screw, 3A Thread, Steel, ASTM A574: 1/4-28 x 3/4
<b>Recessed Screw</b>	No
<b>Approximate Weight</b>	5.90 oz
<b>UPC Code</b>	044861128015
<b>Downloads</b>	<a href="#">Catalog Page</a>

### Competitor Part Number

<b>Alternate Part Number</b>	0403748
	101957140
	175D49070
	1C156A
	242735
	2758394
	2774523
	2AKL7
	6157K37
	75236620
	7A109
	8699028
	CL25A
	CL-25-A