

**Climax Metal Products Company**

8141 Tyler Boulevard

Mentor, Ohio 44060

USA

Toll free: 800-542-6552

Phone: 440-585-0300

Fax: 800-860-5553

Email: sales@climaxmetal.comWebsite: www.climaxmetal.com

ITEM # N2C-025, ACETAL TWO-PIECE CLAMPING COLLAR N2C-SERIES

Acetal Copolymer Two-Piece Clamping Collar. Will not rust or corrode. Ideal for washdown environments & is USDA approved. Collars include stainless steel screws.

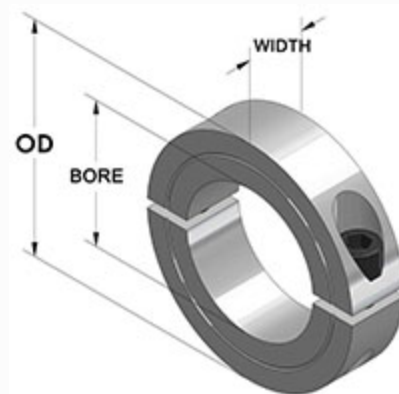
[View Catalog Page](#)



[Drawing](#) | [Specifications](#) |

Drawing

Dimensional Drawing



Two-Piece Clamping Collar

Specifications

Bore	1/4 in
OD	5/8 in
Width	5/16 in
Style	Two-Piece Clamp
Material	Acetal
Finish	Plain
Clamp Screw	Hex Socket Cap Screw, 3A Thread, Stainless Steel, ASTM F837: 4-40 x 3/8
Recessed Screw	No
Approximate Weight	0.22 oz
UPC Code	044861823071
Downloads	Catalog Page

Competitor Part Number

Alternate Part Number	0404626
	103370086
	1571832
	175D50687
	1F594
	2393195
	2AUN9
	60485K61
	N2C025
	SP-4-P