



Climax Metal Products Company

8141 Tyler Boulevard
Mentor, Ohio 44060
USA

Toll free: 800-542-6552

Phone: 440-585-0300

Fax: 800-860-5553

Email: sales@climaxmetal.com

Website: www.climaxmetal.com

ITEM # M1C-22-S, METRIC ONE-PIECE CLAMPING COLLAR M1C-SERIES

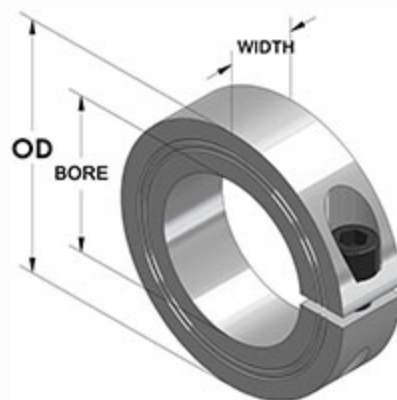
Stainless Steel Metric One-Piece Clamping Collar. Design fully engages the shaft without marring. Greater axial holding power than set screw collars. Effective on hard & soft shafts.



[Drawing](#) | [Specifications](#) |

Drawing

Dimensional Drawing



Metric One-Piece Clamping Collar

Specifications

Bore	22 mm
OD	1 3/4 in
Width	15 mm
Style	One-Piece Clamp
Material	Stainless Steel, ASTM A582
Finish	Plain
Clamp Screw	Hex Socket Cap Screw, Stainless Steel: M6 x 16
Recessed Screw	No
Approximate Weight	3.90 oz
UPC Code	044861993842
Downloads	Catalog Page

Competitor Part Number

Alternate Part Number	0404472
	101947450
	175D49373
	2130812
	2299375
	2758494
	2774612
	2ALJ6
	M1C22S
	MCL22SS
	MCL-22-SS