



## Climax Metal Products Company

8141 Tyler Boulevard  
Mentor, Ohio 44060  
USA

Toll free: 800-542-6552

Phone: 440-585-0300

Fax: 800-860-5553

Email: [sales@climaxmetal.com](mailto:sales@climaxmetal.com)

Website: [www.climaxmetal.com](http://www.climaxmetal.com)

## ITEM # H1C-162-A, ONE-PIECE CLAMPING COLLAR RECESSED SCREW H1C-SERIES

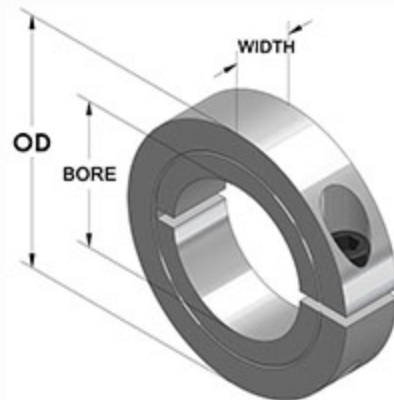
Aluminum One-Piece Clamping Collar - Recessed Screw Head. Recessed Screw Head provides an outside surface free of major projections for safety. Design fully engages the shaft without marring. Greater axial holding power than set screw collars. Effective on hard & soft shafts.



[Drawing](#) | [Specifications](#) |

### Drawing

### Dimensional Drawing



One-Piece Clamping Collar Recessed Screw

## Specifications

<b>Bore</b>	1 5/8 in
<b>OD</b>	3 in
<b>Width</b>	5/8 in
<b>Style</b>	One-Piece Clamp
<b>Material</b>	Aluminum, ASTM B211
<b>Finish</b>	Plain
<b>Clamp Screw</b>	Hex Socket Cap Screw, 3A Thread, Steel, ASTM A574: 5/16-24 x 1
<b>Recessed Screw</b>	Yes
<b>Approximate Weight</b>	4.57 oz
<b>UPC Code</b>	044861993835
<b>Downloads</b>	<a href="#">Catalog Page</a>

## Competitor Part Number

<b>Alternate Part Number</b>	0404384 101969835 175D03146 1A110 214106 214107 2774579 H1C162A
------------------------------	--