

**Climax Metal Products Company**

8141 Tyler Boulevard
Mentor, Ohio 44060
USA

Toll free: 800-542-6552

Phone: 440-585-0300

Fax: 800-860-5553

Email: sales@climaxmetal.com

Website: www.climaxmetal.com

ITEM # RC-050-S, SET SCREW COUPLING RC-SERIES

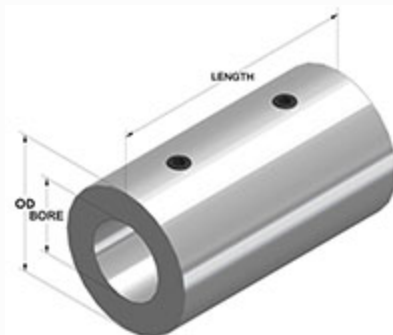
Stainless Steel Set Screw Coupling. Traditional cost effective rigid coupling design. Provides torque transmission & alignment.



[Drawing](#) | [Specifications](#) |

Drawing

Dimensional Drawing



Set Screw Coupling

Specifications

Bore	1/2 in
OD	1 in
Length	1 1/2 in
Style	Set Screw
Material	Stainless Steel, ASTM A582
Finish	Plain
Set Screw	Hex Socket Set Screw, 3A Thread, Stainless Steel, ASTM F880: 1/4-20 x 1/4
Approximate Weight	3.80 oz
UPC Code	044861355701
Downloads	Catalog Page

Competitor Part Number**Alternate Part Number**

09045451
101783585
1464190
1571470
175D49765
6099K24
MA1571470
RC050S