

**Climax Metal Products Company**

8141 Tyler Boulevard
Mentor, Ohio 44060
USA

Toll free: 800-542-6552

Phone: 440-585-0300

Fax: 800-860-5553

Email: sales@climaxmetal.com

Website: www.climaxmetal.com

ITEM # RC-087-A, SET SCREW COUPLING RC-SERIES

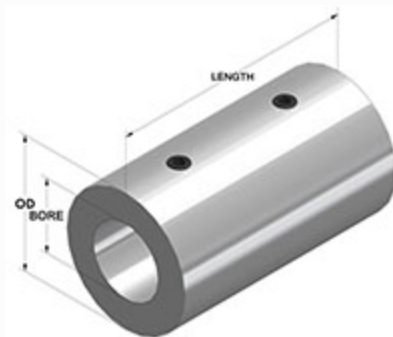
Aluminum Set Screw Coupling. Traditional cost effective rigid coupling design. Provides torque transmission & alignment.



[Drawing](#) | [Specifications](#) |

Drawing

Dimensional Drawing



Set Screw Coupling

Specifications

Bore	7/8 in
OD	1 3/4 in
Length	2 in
Style	Set Screw
Material	Aluminum, ASTM B211
Finish	Plain
Set Screw	Hex Socket Set Screw, 3A Thread, Steel, ASTM F912: 5/16-18 x 5/16
Approximate Weight	5.30 oz
UPC Code	044861358832
Downloads	Catalog Page

Competitor Part Number**Alternate Part Number**

0404659
101949426
175D31080
2424K17
2758661
2774732
RC087A