



Climax Metal Products Company

8141 Tyler Boulevard
Mentor, Ohio 44060
USA

Toll free: 800-542-6552

Phone: 440-585-0300

Fax: 800-860-5553

Email: sales@climaxmetal.com

Website: www.climaxmetal.com

ITEM # M2C-22-S, METRIC TWO-PIECE CLAMPING COLLAR M2C-SERIES

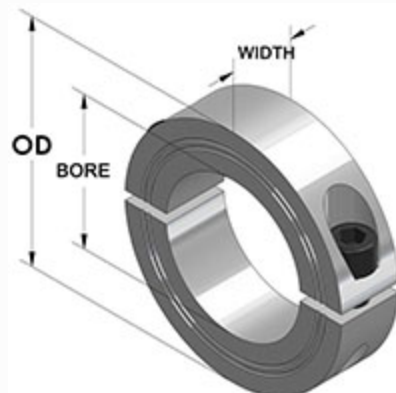
Stainless Steel Metric Two-Piece Clamping Collar. Design fully engages the shaft without marring. Easily installed where major disassembly would otherwise be required. Greater axial holding power than set screw or one-piece clamping collars. Effective on hard & soft shafts.



[Drawing](#) | [Specifications](#) |

Drawing

Dimensional Drawing



Metric Two-Piece Clamping Collar

Specifications

Bore	22 mm
OD	1 3/4 in
Width	15 mm
Style	Two-Piece Clamp
Material	Stainless Steel, ASTM A582
Finish	Plain
Clamp Screw	Hex Socket Cap Screw, Stainless Steel, Metric: M6 x 16
Recessed Screw	No
Approximate Weight	3.71 oz
UPC Code	044861435274
Downloads	Catalog Page

Competitor Part Number

Alternate Part Number	0404512
	101945165
	175D25970
	2279035
	2337446
	2758479
	2846016
	2AMT2
	M2C22S
	MSP22SS
	MSP-22-SS