



Climax Metal Products Company

8141 Tyler Boulevard
Mentor, Ohio 44060
USA

Toll free: 800-542-6552

Phone: 440-585-0300

Fax: 800-860-5553

Email: sales@climaxmetal.com

Website: www.climaxmetal.com

ITEM # 2C-237, TWO-PIECE, CLAMPING COLLAR- 2C-SERIES

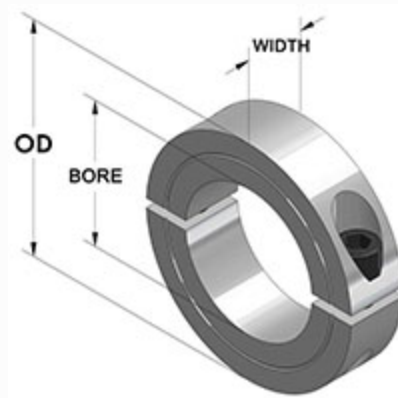
Black Oxide Plated Steel Two-Piece Clamping Collar. Design fully engages the shaft without marring. Easily installed where major disassembly would otherwise be required. Greater axial holding power than set screw or one-piece clamping collars. Effective on hard & soft shafts.



[Drawing](#) | [Specifications](#) |

Drawing

Dimensional Drawing



Two-Piece Clamping Collar

Specifications

Bore	2 3/8 in
OD	3 1/2 in
Width	3/4 in
Style	Two-Piece Clamp
Material	Steel, ASTM A108
Finish	Black Oxide
Clamp Screw	Hex Socket Cap Screw, 3A Thread, Steel, ASTM A574: 5/16-24 x 1
Recessed Screw	No
Approximate Weight	15.20 oz
UPC Code	044861208328
Downloads	Catalog Page

Competitor Part Number

Alternate Part Number	0402878
	101784019
	15170
	1570389
	175D49177
	243075
	243077
	243078
	2ARA3
	2C237
	35461284
	4279599
	4489113
	6436K79
	8L206
	MA1570389
	SC238
	SC2-38
	SP38F
	SP-38-F

