



Climax Metal Products Company

8141 Tyler Boulevard
Mentor, Ohio 44060
USA

Toll free: 800-542-6552

Phone: 440-585-0300

Fax: 800-860-5553

Email: sales@climaxmetal.com

Website: www.climaxmetal.com

ITEM # TC-075-16-S, ONE-PIECE THREADED CLAMPING COLLAR RECESSED SCREW TC-SERIES

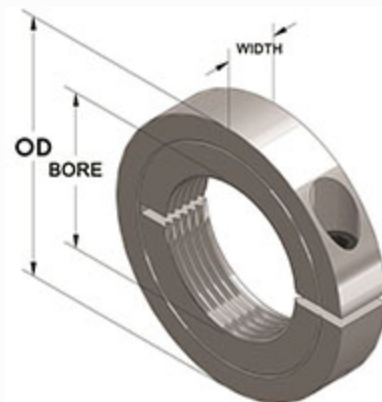
Stainless Steel One-Piece Threaded Clamping Collars - Recessed Screw Head. Recessed screw head provides an outside surface free of major projections for safety. Design fully engages the thread for secure locking.



[Drawing](#) | [Specifications](#) |

Drawing

Dimensional Drawing



One-Piece Threaded Clamping Collar Recessed Screw

Specifications

| | |
|---------------------------|--|
| Bore Thread | 3/4-16 |
| OD | 1 3/4 in |
| Width | 1/2 in |
| Style | One-Piece Clamp |
| Material | Stainless Steel, ASTM A582 |
| Finish | Plain |
| Clamp Screw | Hex Socket Cap Screw, 3A Thread, Stainless Steel, ASTM F837: 1/4-28 x 5/8 |
| Recessed Screw | Yes |
| Approximate Weight | 4.10 oz |
| UPC Code | 044861601532 |
| Downloads | Catalog Page |

Competitor Part Number

| | |
|------------------------------|-----------|
| Alternate Part Number | 0404669 |
| | 101782032 |
| | 1570709 |
| | 175D49276 |
| | 243374 |
| | 243375 |
| | 243376 |
| | 3S012 |
| | 9144385 |
| | CSSC7516 |
| | CSSC75-16 |
| | TC07516S |