

**Climax Metal Products Company**

8141 Tyler Boulevard  
Mentor, Ohio 44060  
USA

Toll free: 800-542-6552

Phone: 440-585-0300

Fax: 800-860-5553

Email: [sales@climaxmetal.com](mailto:sales@climaxmetal.com)

Website: [www.climaxmetal.com](http://www.climaxmetal.com)

## ITEM # 1C-168-A, ONE-PIECE CLAMPING COLLAR 1C-SERIES

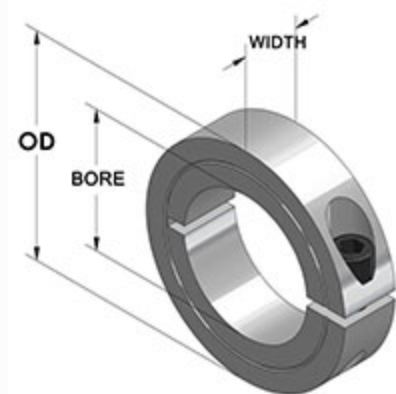
Aluminum One-Piece Clamping Collar. Design fully engages the shaft without marring. Greater axial holding power than set screw collars. Effective on hard & soft shafts.



[Drawing](#) | [Specifications](#) |

### Drawing

#### Dimensional Drawing



One-Piece Clamping Collar

### Specifications

<b>Bore</b>	1 11/16 in
<b>OD</b>	2 3/4 in
<b>Width</b>	11/16 in
<b>Style</b>	One-Piece Clamp
<b>Material</b>	Aluminum, ASTM B211
<b>Finish</b>	Plain
<b>Clamp Screw</b>	Hex Socket Cap Screw, 3A Thread, Steel, ASTM A574: 5/16-24 x 1
<b>Recessed Screw</b>	No
<b>Approximate Weight</b>	10.70 oz
<b>UPC Code</b>	044861128152
<b>Downloads</b>	<a href="#">Catalog Page</a>

## Competitor Part Number

<b>Alternate Part Number</b>	0403752
	101948039
	175D49072
	1C168A
	242739
	242740
	2758398
	2774527
	2AUV1
	6157K41
	75236661
	7A111
	8699030
	CL27A
	CL-27-A