

**Climax Metal Products Company**

8141 Tyler Boulevard
Mentor, Ohio 44060
USA

Toll free: 800-542-6552

Phone: 440-585-0300

Fax: 800-860-5553

Email: sales@climaxmetal.com

Website: www.climaxmetal.com

ITEM # ISTC-112-12-S, ONE-PIECE THREADED CLAMPING COLLAR ISTC-SERIES

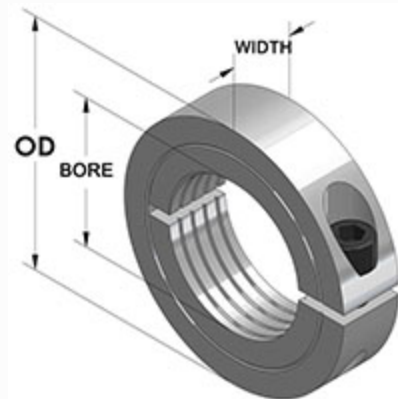
Stainless Steel One-Piece Threaded Clamping Collars. Design fully engages the thread for secure locking.



[Drawing](#) | [Specifications](#) |

Drawing

Dimensional Drawing



One-Piece Threaded Clamping Collar

Specifications

Bore Thread	1 1/8-12
OD	1 7/8 in
Width	1/2 in
Style	One-Piece Clamp
Material	Stainless Steel, ASTM A582
Finish	Plain
Clamp Screw	Hex Socket Cap Screw, 3A Thread, Stainless Steel, ASTM F837: 1/4-28 x 3/4
Recessed Screw	No
Approximate Weight	3.80 oz
UPC Code	044861536148
Downloads	Catalog Page

Competitor Part Number

Alternate Part Number	0403291
	101782150
	1570912
	175D49628
	243953
	243954
	2AKZ2
	35463264
	6438K91
	6664922
	7S102F
	ISTC11212S
	TCL1812SS
	TCL-18-12-SS