



Climax Metal Products Company

8141 Tyler Boulevard
Mentor, Ohio 44060
USA

Toll free: 800-542-6552

Phone: 440-585-0300

Fax: 800-860-5553

Email: sales@climaxmetal.com

Website: www.climaxmetal.com

ITEM # CC-050-037, ONE-PIECE CLAMPING COUPLINGS RECESSED SCREW CC-SERIES

Black Oxide Plated Steel One-Piece Clamping Coupling - Recessed Screw Heads. Recessed Screw Head provides an outside surface free of major projections for safety. Does not mar the shaft.

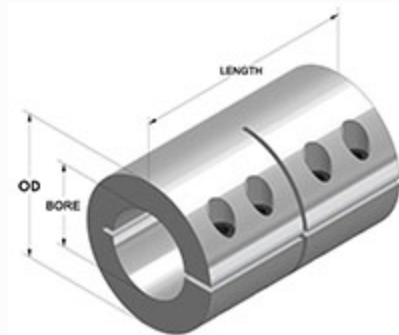
[View Catalog Page](#)



[Drawing](#) | [Specifications](#) |

Drawing

Dimensional Drawing



One-Piece Clamping Coupling Recessed Screw

Specifications

Bore	1/2 in
2nd Bore	3/8 in
OD	1 1/4 in
Length	1 7/8 in
Style	One-Piece Clamp
Material	Steel, ASTM A108
Finish	Black Oxide
Clamp Screw	Hex Socket Cap Screw, 3A Thread, Steel, ASTM A574: 8-32 x 1/2
Recessed Screw	Yes
Approximate Weight	8.11 oz
UPC Code	044861404126
Downloads	Catalog Page

Competitor Part Number

Alternate Part Number	0403106
	101784216
	1570507
	175D49292
	243426
	243428
	5L008006
	CC050037
	MA1570507
	SCC1/2 x 3/8