



### Climax Metal Products Company

8141 Tyler Boulevard  
Mentor, Ohio 44060  
USA

Toll free: 800-542-6552

Phone: 440-585-0300

Fax: 800-860-5553

Email: [sales@climaxmetal.com](mailto:sales@climaxmetal.com)

Website: [www.climaxmetal.com](http://www.climaxmetal.com)

## ITEM # M2C-48, METRIC TWO-PIECE CLAMPING COLLAR M2C-SERIES

Black Oxide Plated Steel Metric Two-Piece Clamping Collar. Design fully engages the shaft without marring. Easily installed where major disassembly would otherwise be required. Greater axial holding power than set screw or one-piece clamping collars. Effective on hard & soft shafts.

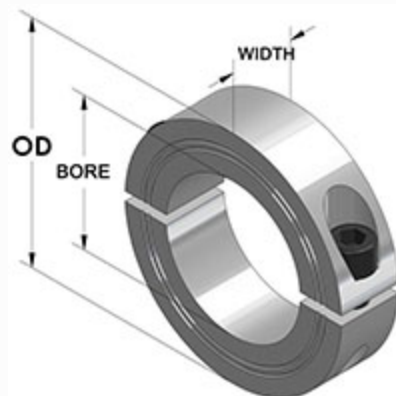
[View Catalog Page](#)



[Drawing](#) | [Specifications](#) |

### Drawing

### Dimensional Drawing



## Metric Two-Piece Clamping Collar

## Specifications

<b>Bore</b>	48 mm
<b>OD</b>	3 1/8 in
<b>Width</b>	19 mm
<b>Style</b>	Two-Piece Clamp
<b>Material</b>	Steel, ASTM A108
<b>Finish</b>	Black Oxide
<b>Clamp Screw</b>	Hex Socket Cap Screw, Steel: M8 x 25
<b>Recessed Screw</b>	No
<b>Approximate Weight</b>	14.10 oz
<b>UPC Code</b>	044861620489
<b>Downloads</b>	<a href="#">Catalog Page</a>

## Competitor Part Number

<b>Alternate Part Number</b>	101828452
	1570883
	175D50308
	244214
	244215
	35461680
	8699288
	M2C48
	MSP48F
	MSP-48-F