



Climax Metal Products Company

8141 Tyler Boulevard
Mentor, Ohio 44060
USA

Toll free: 800-542-6552

Phone: 440-585-0300

Fax: 800-860-5553

Email: sales@climaxmetal.com

Website: www.climaxmetal.com

ITEM # ISTC-125-07-S, ONE-PIECE THREADED CLAMPING COLLAR ISTC-SERIES

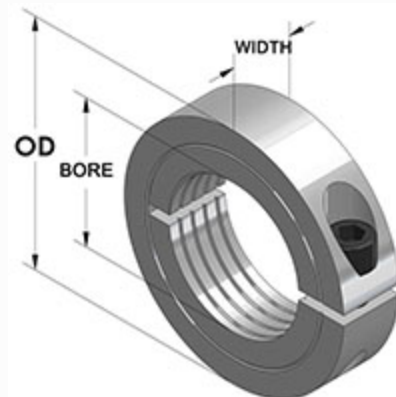
Stainless Steel One-Piece Threaded Clamping Collars. Design fully engages the thread for secure locking.



[Drawing](#) | [Specifications](#) |

Drawing

Dimensional Drawing



One-Piece Threaded Clamping Collar

Specifications

Bore Thread	1 1/4-7
OD	2 1/16 in
Width	1/2 in
Style	One-Piece Clamp
Material	Stainless Steel, ASTM A582
Finish	Plain
Clamp Screw	Hex Socket Cap Screw, 3A Thread, Stainless Steel, ASTM F837: 1/4-28 x 3/4
Recessed Screw	No
Approximate Weight	4.70 oz
UPC Code	044861536285
Downloads	Catalog Page

Competitor Part Number -

Alternate Part Number	0403292
	101783427
	1570913
	175D49630
	243955
	243957
	2ALA1
	35463272
	6438K92
	7S104C
	8699481
	ISTC12507S
	TCL207SS
	TCL-20-7-SS