

**Climax Metal Products Company**

8141 Tyler Boulevard
Mentor, Ohio 44060
USA

Toll free: 800-542-6552

Phone: 440-585-0300

Fax: 800-860-5553

Email: sales@climaxmetal.com

Website: www.climaxmetal.com

ITEM # ISTC-125-12-S, ONE-PIECE THREADED CLAMPING COLLAR ISTC-SERIES

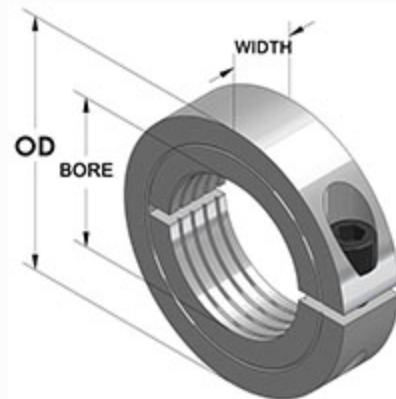
Stainless Steel One-Piece Threaded Clamping Collars. Design fully engages the thread for secure locking.



[Drawing](#) | [Specifications](#) |

Drawing

Dimensional Drawing



One-Piece Threaded Clamping Collar

Specifications

Bore Thread	1 1/4-12
OD	2 1/16 in
Width	1/2 in
Style	One-Piece Clamp
Material	Stainless Steel, ASTM A582
Finish	Plain
Clamp Screw	Hex Socket Cap Screw, 3A Thread, Stainless Steel, ASTM F837: 1/4-28 x 3/4
Recessed Screw	No
Approximate Weight	4.60 oz
UPC Code	044861538883
Downloads	Catalog Page

Competitor Part Number

Alternate Part Number

0403293
 101781115
 15646
 1570658
 175D49631
 243958
 243960
 2AKZ6
 35463280
 6438K62
 7S104F
 9540967
 ITC12512S
 TCL2012SS
 TCL-20-12-SS