



Climax Metal Products Company

8141 Tyler Boulevard
Mentor, Ohio 44060
USA

Toll free: 800-542-6552

Phone: 440-585-0300

Fax: 800-860-5553

Email: sales@climaxmetal.com

Website: www.climaxmetal.com

ITEM # M1C-55, METRIC ONE-PIECE CLAMPING COLLAR M1C-SERIES

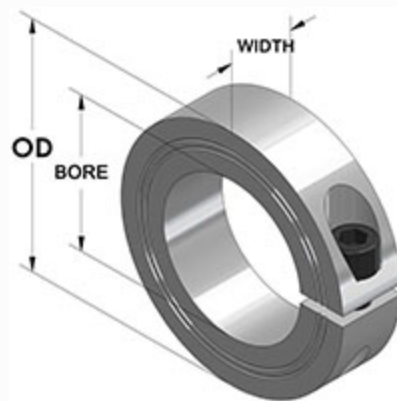
Black Oxide Steel Metric One-Piece Clamping Collar. Design fully engages the shaft without marring. Greater axial holding power than set screw collars. Effective on hard & soft shafts.



[Drawing](#) | [Specifications](#) |

Drawing

Dimensional Drawing



Metric One-Piece Clamping Collar

Specifications

Bore	55 mm
OD	3 1/4 in
Width	19 mm
Style	One-Piece Clamp
Material	Steel, ASTM A108
Finish	Black Oxide
Clamp Screw	Hex Socket Cap Screw, Steel: M8 x 25
Recessed Screw	No
Approximate Weight	14.50 oz
UPC Code	044861610558
Downloads	Catalog Page

Competitor Part Number

Alternate Part Number	0403032
	101783757
	1570843
	175D50228
	244134
	244135
	2ALV5
	35460732
	8699175
	M1C55
	MCL55F
	MCL-55-F