



Climax Metal Products Company

8141 Tyler Boulevard
Mentor, Ohio 44060
USA

Toll free: 800-542-6552

Phone: 440-585-0300

Fax: 800-860-5553

Email: sales@climaxmetal.com

Website: www.climaxmetal.com

ITEM # CC-062-050, ONE-PIECE CLAMPING COUPLINGS RECESSED SCREW CC-SERIES

Black Oxide Plated Steel One-Piece Clamping Coupling - Recessed Screw Heads. Recessed Screw Head provides an outside surface free of major projections for safety. Does not mar the shaft.

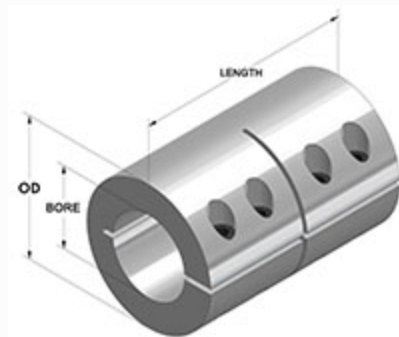
[View Catalog Page](#)



[Drawing](#) | [Specifications](#) |

Drawing

Dimensional Drawing



One-Piece Clamping Coupling Recessed Screw

Specifications

Bore	5/8 in
2nd Bore	1/2 in
OD	1 1/2 in
Length	2 1/4 in
Style	One-Piece Clamp
Material	Steel, ASTM A108
Finish	Black Oxide
Clamp Screw	Hex Socket Cap Screw, 3A Thread, Steel, ASTM A574: 10-32 x 1/2
Recessed Screw	Yes
Approximate Weight	13.30 oz
UPC Code	044861403686
Downloads	Catalog Page

Competitor Part Number

Alternate Part Number	0403108 101782023 1570510 175D49294 243435 243437 5L010008 CC062050 MA1570510 SCC5/8 x 1/2
------------------------------	---