

**Climax Metal Products Company**

8141 Tyler Boulevard

Mentor, Ohio 44060

USA

Toll free: 800-542-6552

Phone: 440-585-0300

Fax: 800-860-5553

Email: sales@climaxmetal.comWebsite: www.climaxmetal.com

ITEM # 1C-131-S, ONE-PIECE CLAMPING COLLAR 1C-SERIES

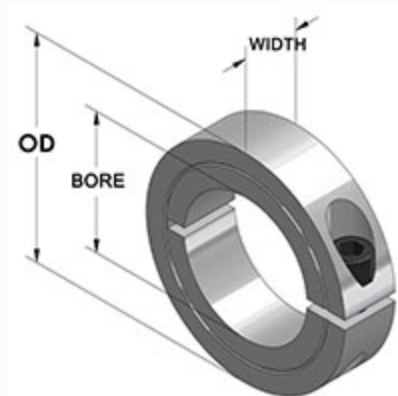
Stainless Steel One-Piece Clamping Collar. Design fully engages the shaft without marring. Greater axial holding power than set screw collars. Effective on hard & soft shafts.



[Drawing](#) | [Specifications](#) |

Drawing

Dimensional Drawing



One-Piece Clamping Collar

Specifications

Bore	1 5/16 in
OD	2 1/4 in
Width	9/16 in
Style	One-Piece Clamp
Material	Stainless Steel, ASTM A582
Finish	Plain
Clamp Screw	Hex Socket Cap Screw, 3A Thread, Stainless Steel, ASTM F837: 1/4-28 x 3/4
Recessed Screw	No
Approximate Weight	6.19 oz
UPC Code	044861128091
Downloads	Catalog Page

Competitor Part Number

Alternate Part Number	0403745
	101951884
	175D49113
	1C131S
	242870
	242871
	2758391
	2774520
	2AKK6
	6435K57
	75236596
	7S105
	8699023
	CL21SS
	CL-21-SS