

**Climax Metal Products Company**

8141 Tyler Boulevard

Mentor, Ohio 44060

USA

Toll free: 800-542-6552

Phone: 440-585-0300

Fax: 800-860-5553

Email: sales@climaxmetal.comWebsite: www.climaxmetal.com

ITEM # 1C-156-S, ONE-PIECE CLAMPING COLLAR 1C-SERIES

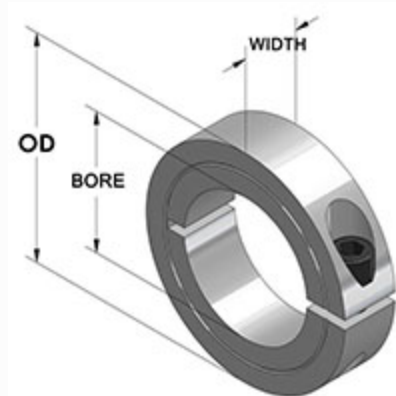
Stainless Steel One-Piece Clamping Collar. Design fully engages the shaft without marring. Greater axial holding power than set screw collars. Effective on hard & soft shafts.



[Drawing](#) | [Specifications](#) |

Drawing

Dimensional Drawing



One-Piece Clamping Collar

Specifications

Bore	1 9/16 in
OD	2 3/8 in
Width	9/16 in
Style	One-Piece Clamp
Material	Stainless Steel, ASTM A582
Finish	Plain
Clamp Screw	Hex Socket Cap Screw, 3A Thread, Stainless Steel, ASTM F837: 1/4-28 x 3/4
Recessed Screw	No
Approximate Weight	5.90 oz
UPC Code	044861128107
Downloads	Catalog Page

Competitor Part Number

Alternate Part Number

0403749
 101951883
 175D49117
 1C156S
 242883
 2758395
 2774524
 2AKL9
 5760101
 6435K65
 75236638
 7S109
 CL25SS
 CL-25-SS