

**Climax Metal Products Company**

8141 Tyler Boulevard  
Mentor, Ohio 44060  
USA

Toll free: 800-542-6552

Phone: 440-585-0300

Fax: 800-860-5553

Email: [sales@climaxmetal.com](mailto:sales@climaxmetal.com)

Website: [www.climaxmetal.com](http://www.climaxmetal.com)

## ITEM # C-175-S, SET SCREW COLLAR C-SERIES

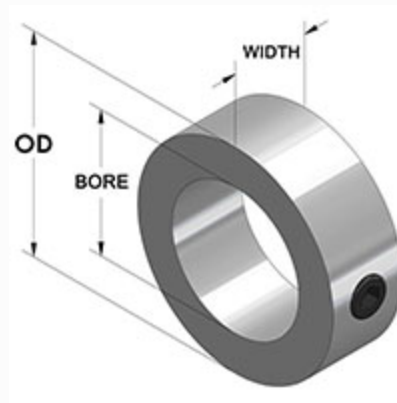
Stainless Steel Set Screw Collar. Traditional cost effective collar design.



[Drawing](#) | [Specifications](#) |

### Drawing

#### Dimensional Drawing



Set Screw Collar

### Specifications

<b>Bore</b>	1 3/4 in
<b>OD</b>	2 5/8 in
<b>Width</b>	7/8 in
<b>Style</b>	Set Screw
<b>Material</b>	Stainless Steel, ASTM A582
<b>Finish</b>	Plain
<b>Set Screw</b>	Hex Socket Set Screw, 3A Thread, Stainless Steel, ASTM F880: 1/2-13 x 1/2
<b>Approximate Weight</b>	11.40 oz
<b>UPC Code</b>	044861090626
<b>Downloads</b>	<a href="#">Catalog Page</a>

## Competitor Part Number

## Alternate Part Number

0402973  
 101783539  
 1570458  
 175D08332  
 2031571  
 227943  
 227944  
 227946  
 227947  
 2AEA7  
 35465541  
 4270604  
 5760025  
 6462K38  
 6S112  
 C175S  
 LSC-28 SS  
 LSC28SS  
 MA1570458  
 SC28SS  
 SC-28-SS  
 SSC175

