



Climax Metal Products Company

8141 Tyler Boulevard
Mentor, Ohio 44060
USA

Toll free: 800-542-6552

Phone: 440-585-0300

Fax: 800-860-5553

Email: sales@climaxmetal.com

Website: www.climaxmetal.com

ITEM # H2C-293, TWO-PIECE CLAMPING COLLAR RECESSED SCREW H2C-SERIES

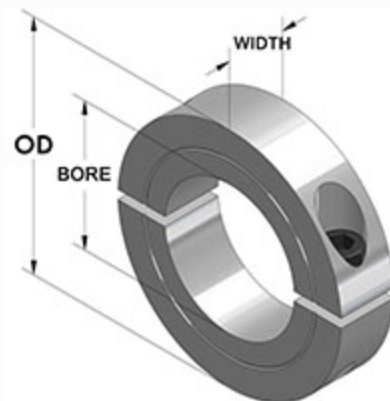
Black Oxide Plated Steel Two-Piece Clamping Collar - Recessed Screw Head. Recessed Screw Head provides an outside surface free of major projections for safety. Design fully engages the shaft without marring. Easily installed where major disassembly would otherwise be required. Greater axial holding power than set screw or one-piece clamping collars. Effective on hard & soft shafts.



[Drawing](#) | [Specifications](#) |

Drawing

Dimensional Drawing



Two-Piece Clamping Collar Recessed Screw

Specifications

Bore	2 15/16 in
OD	4 1/2 in
Width	3/4 in
Style	Two-Piece Clamp
Material	Steel, ASTM A108
Finish	Black Oxide
Clamp Screw	Hex Socket Cap Screw, 3A Thread, Steel, ASTM A574: 3/8-24 x 1
Recessed Screw	Yes
Approximate Weight	28.00 oz
UPC Code	044861259320
Downloads	Catalog Page

Competitor Part Number

Alternate Part Number	0403401
	101782141
	1570086
	175D03480
	214565
	214566
	214567
	2L215
	2SC293
	900096
	H2C293
	MA1570086