

**Climax Metal Products Company**

8141 Tyler Boulevard
Mentor, Ohio 44060
USA

Toll free: 800-542-6552

Phone: 440-585-0300

Fax: 800-860-5553

Email: sales@climaxmetal.com

Website: www.climaxmetal.com

ITEM # C-218-A, SET SCREW COLLAR C-SERIES

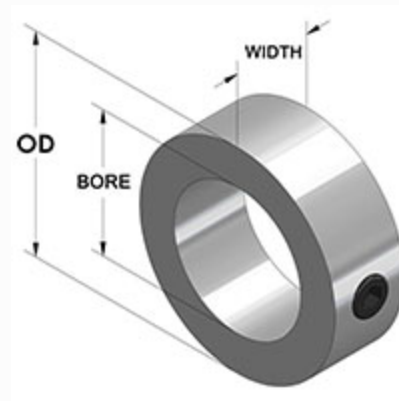
Aluminum Set Screw Collar. Traditional cost effective collar design.



[Drawing](#) | [Specifications](#) |

Drawing

Dimensional Drawing



Set Screw Collar

Specifications

Bore	2 3/16 in
OD	3 1/4 in
Width	15/16 in
Style	Set Screw
Material	Aluminum, ASTM B211
Finish	Plain
Set Screw	Hex Socket Set Screw, 3A Thread, Steel, ASTM F912: 1/2-13 x 1/2
Approximate Weight	6.20 oz
UPC Code	044861004487
Downloads	Catalog Page

Competitor Part Number**Alternate Part Number**

101456154
175D01769
4959731
6A203
9946K52
C218A
SC-35-A