

**Climax Metal Products Company**

8141 Tyler Boulevard

Mentor, Ohio 44060

USA

Toll free: 800-542-6552

Phone: 440-585-0300

Fax: 800-860-5553

Email: [sales@climaxmetal.com](mailto:sales@climaxmetal.com)Website: [www.climaxmetal.com](http://www.climaxmetal.com)

## ITEM # RC-125-A, SET SCREW COUPLING RC-SERIES

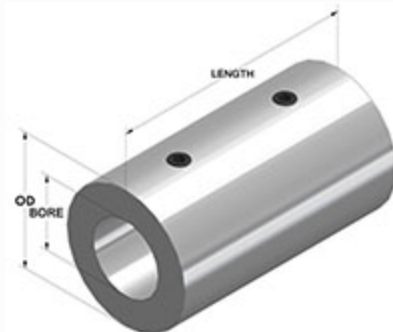
Aluminum Set Screw Coupling. Traditional cost effective rigid coupling design. Provides torque transmission & alignment.



[Drawing](#) | [Specifications](#) |

### Drawing

### Dimensional Drawing



Set Screw Coupling

### Specifications

<b>Bore</b>	1 1/4 in
<b>OD</b>	2 1/4 in
<b>Length</b>	4 in
<b>Style</b>	Set Screw
<b>Material</b>	Aluminum, ASTM B211
<b>Finish</b>	Plain
<b>Set Screw</b>	Hex Socket Set Screw, 3A Thread, Steel, ASTM F912: 3/8-16 x 1/2
<b>Approximate Weight</b>	16.10 oz
<b>UPC Code</b>	044861358993
<b>Downloads</b>	<a href="#">Catalog Page</a>

**Competitor Part Number**

<b>Alternate Part Number</b>	0404663 103231406 175D31082 2424K21 2758663 2774734 RC125A
------------------------------	--