



Climax Metal Products Company

8141 Tyler Boulevard
Mentor, Ohio 44060
USA

Toll free: 800-542-6552

Phone: 440-585-0300

Fax: 800-860-5553

Email: sales@climaxmetal.com

Website: www.climaxmetal.com

ITEM # 2C-275, TWO-PIECE, CLAMPING COLLAR- 2C-SERIES

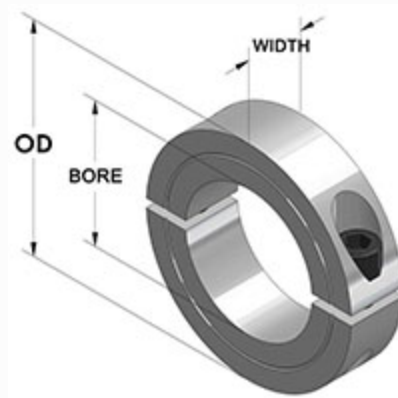
Black Oxide Plated Steel Two-Piece Clamping Collar. Design fully engages the shaft without marring. Easily installed where major disassembly would otherwise be required. Greater axial holding power than set screw or one-piece clamping collars. Effective on hard & soft shafts.



[Drawing](#) | [Specifications](#) |

Drawing

Dimensional Drawing



Two-Piece Clamping Collar

Specifications

Bore	2 3/4 in
OD	4 in
Width	7/8 in
Style	Two-Piece Clamp
Material	Steel, ASTM A108
Finish	Black Oxide
Clamp Screw	Hex Socket Cap Screw, 3A Thread, Steel, ASTM A574: 3/8-24 x 1
Recessed Screw	No
Approximate Weight	24.00 oz
UPC Code	044861209875
Downloads	Catalog Page

Competitor Part Number

Alternate Part Number	0402882
	101782018
	1167963
	15178
	1570394
	175D49183
	243093
	243095
	2ACL8
	2C275
	35461334
	4279604
	6436K85
	8L212
	MA1570394
	SC244
	SC2-44
	SP44F
	SP-44-F

