



Climax Metal Products Company

8141 Tyler Boulevard
Mentor, Ohio 44060
USA

Toll free: 800-542-6552

Phone: 440-585-0300

Fax: 800-860-5553

Email: sales@climaxmetal.com

Website: www.climaxmetal.com

ITEM # 2C-287, TWO-PIECE, CLAMPING COLLAR- 2C-SERIES

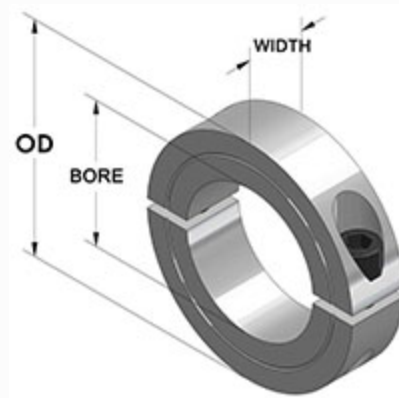
Black Oxide Plated Steel Two-Piece Clamping Collar. Design fully engages the shaft without marring. Easily installed where major disassembly would otherwise be required. Greater axial holding power than set screw or one-piece clamping collars. Effective on hard & soft shafts.



[Drawing](#) | [Specifications](#) |

Drawing

Dimensional Drawing



Two-Piece Clamping Collar

Specifications

Bore	2 7/8 in
OD	4 1/4 in
Width	7/8 in
Style	Two-Piece Clamp
Material	Steel, ASTM A108
Finish	Black Oxide
Clamp Screw	Hex Socket Cap Screw, 3A Thread, Steel, ASTM A574: 3/8-24 x 1
Recessed Screw	No
Approximate Weight	29.00 oz
UPC Code	044861273845
Downloads	Catalog Page

Competitor Part Number

Alternate Part Number	101783400
	1570395
	175D49185
	243098
	243099
	2ACN5
	2C287
	34335
	35461342
	4279605
	5760133
	6436K87
	8L214
	MA1570395
	SC246
	SC2-46
	SP46F
	SP-46-F