

**Climax Metal Products Company**

8141 Tyler Boulevard

Mentor, Ohio 44060

USA

Toll free: 800-542-6552

Phone: 440-585-0300

Fax: 800-860-5553

Email: sales@climaxmetal.comWebsite: www.climaxmetal.com

ITEM # 1C-168-S, ONE-PIECE CLAMPING COLLAR 1C-SERIES

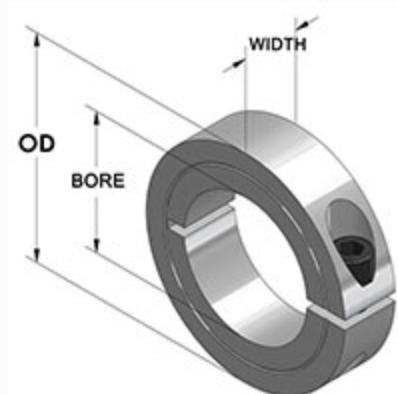
Stainless Steel One-Piece Clamping Collar. Design fully engages the shaft without marring. Greater axial holding power than set screw collars. Effective on hard & soft shafts.



[Drawing](#) | [Specifications](#) |

Drawing

Dimensional Drawing



One-Piece Clamping Collar

Specifications

Bore	1 11/16 in
OD	2 3/4 in
Width	11/16 in
Style	One-Piece Clamp
Material	Stainless Steel, ASTM A582
Finish	Plain
Clamp Screw	Hex Socket Cap Screw, 3A Thread, Stainless Steel, ASTM F837: 5/16-24 x 1
Recessed Screw	No
Approximate Weight	10.70 oz
UPC Code	044861128169
Downloads	Catalog Page

Competitor Part Number

Alternate Part Number	0403753
	101969832
	175D49119
	1C168S
	242888
	242889
	2724262
	2758399
	2774528
	2AUV3
	6435K78
	75236679
	7S111
	87988663
	CL27SS
	CL-27-SS