

**Climax Metal Products Company**

8141 Tyler Boulevard

Mentor, Ohio 44060

USA

Toll free: 800-542-6552

Phone: 440-585-0300

Fax: 800-860-5553

Email: sales@climaxmetal.comWebsite: www.climaxmetal.com

ITEM # RC-087-S-KW, SET SCREW COUPLING W/KEYWAY RC-SERIES

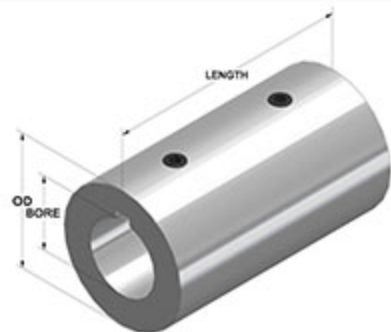
Stainless Steel Set Screw Coupling with Keyway. Traditional cost effective rigid coupling design. Provides torque transmission & alignment.



[Drawing](#) | [Specifications](#) |

Drawing

Dimensional Drawing



Set Screw Coupling with Keyway

Specifications

Bore	7/8 in
OD	1 3/4 in
Length	2 in
Style	Set Screw
Keyway Size	3/16 x 3/32 in
Material	Stainless Steel, ASTM A582
Finish	Plain
Set Screw	Hex Socket Set Screw, 3A Thread, Stainless Steel, ASTM F880: 5/16-18 x 5/16
Approximate Weight	16.00 oz
UPC Code	044861352809
Downloads	Catalog Page

Competitor Part Number

Alternate Part Number	0404660 101783440 1464183 1571477 175D49759 6099K44 MA1571477 RC087SKW
------------------------------	---