



### Climax Metal Products Company

8141 Tyler Boulevard  
Mentor, Ohio 44060  
USA

Toll free: 800-542-6552

Phone: 440-585-0300

Fax: 800-860-5553

Email: [sales@climaxmetal.com](mailto:sales@climaxmetal.com)

Website: [www.climaxmetal.com](http://www.climaxmetal.com)

## ITEM # CC-150-150-KW, ONE-PIECE CLAMPING COUPLINGS RECESSED SCREW W/KEYWAY CC-SERIES

Black Oxide Plated Steel One-Piece Clamping Coupling with Keyway - Recessed Screw Heads. Recessed Screw Head provides an outside surface free of major projections for safety. Does not mar the shaft.

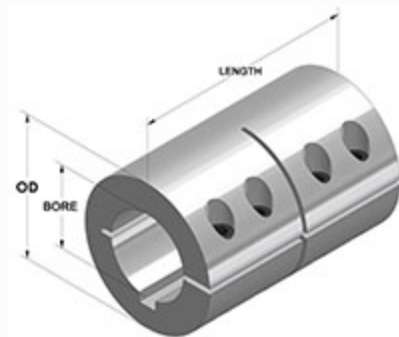
[View Catalog Page](#)



[Drawing](#) | [Specifications](#) |

### Drawing

### Dimensional Drawing



One-Piece Clamping Coupling Recessed Screw with Keyway

## Specifications

<b>Bore</b>	1 1/2 in
<b>2nd Bore</b>	1 1/2 in
<b>OD</b>	2 1/2 in
<b>Length</b>	3 3/4 in
<b>Style</b>	One-Piece Clamp
<b>Keyway Size</b>	3/8 x 3/16 in
<b>Material</b>	Steel, ASTM A108
<b>Finish</b>	Black Oxide
<b>Clamp Screw</b>	Hex Socket Cap Screw, 3A Thread, Steel, ASTM A574: 1/4-28 x 3/4
<b>Recessed Screw</b>	Yes
<b>Approximate Weight</b>	49.50 oz
<b>UPC Code</b>	044861409312
<b>Downloads</b>	<a href="#">Catalog Page</a>

## Competitor Part Number

<b>Alternate Part Number</b>	0403147 101783432 1570997 175D49454 243581 35462217 5L108108K CC150150KW MA1570997
------------------------------	--