



### Climax Metal Products Company

8141 Tyler Boulevard  
Mentor, Ohio 44060  
USA

Toll free: 800-542-6552

Phone: 440-585-0300

Fax: 800-860-5553

Email: [sales@climaxmetal.com](mailto:sales@climaxmetal.com)

Website: [www.climaxmetal.com](http://www.climaxmetal.com)

## ITEM # 2C-262-A, TWO-PIECE, CLAMPING COLLAR- 2C-SERIES

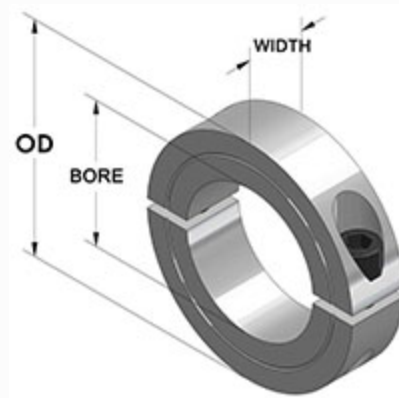
Aluminum Two-Piece Clamping Collar. Design fully engages the shaft without marring. Easily installed where major disassembly would otherwise be required. Greater axial holding power than set screw or one-piece clamping collars. Effective on hard & soft shafts.



[Drawing](#) | [Specifications](#) |

### Drawing

### Dimensional Drawing



Two-Piece Clamping Collar

## Specifications

<b>Bore</b>	2 5/8 in
<b>OD</b>	3 7/8 in
<b>Width</b>	7/8 in
<b>Style</b>	Two-Piece Clamp
<b>Material</b>	Aluminum, ASTM B211
<b>Finish</b>	Plain
<b>Clamp Screw</b>	Hex Socket Cap Screw, 3A Thread, Steel, ASTM A574: 3/8-24 x 1
<b>Recessed Screw</b>	No
<b>Approximate Weight</b>	24.00 oz
<b>UPC Code</b>	044861125564
<b>Downloads</b>	<a href="#">Catalog Page</a>

## Competitor Part Number

<b>Alternate Part Number</b>	0403792
	101944387
	175D49545
	243763
	243764
	2774494
	2C262A
	6284554
	6436K166
	75241604
	8A210
	SP41A
	SP-42-A