



### Climax Metal Products Company

8141 Tyler Boulevard  
Mentor, Ohio 44060  
USA

Toll free: 800-542-6552

Phone: 440-585-0300

Fax: 800-860-5553

Email: [sales@climaxmetal.com](mailto:sales@climaxmetal.com)

Website: [www.climaxmetal.com](http://www.climaxmetal.com)

## ITEM # M1C-45-S, METRIC ONE-PIECE CLAMPING COLLAR M1C-SERIES

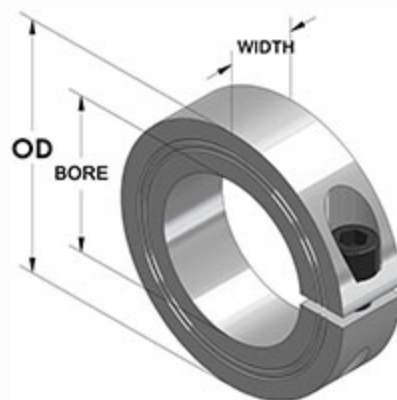
Stainless Steel Metric One-Piece Clamping Collar. Design fully engages the shaft without marring. Greater axial holding power than set screw collars. Effective on hard & soft shafts.



[Drawing](#) | [Specifications](#) |

### Drawing

### Dimensional Drawing



Metric One-Piece Clamping Collar

## Specifications

<b>Bore</b>	45 mm
<b>OD</b>	2 7/8 in
<b>Width</b>	19 mm
<b>Style</b>	One-Piece Clamp
<b>Material</b>	Stainless Steel, ASTM A582
<b>Finish</b>	Plain
<b>Clamp Screw</b>	Hex Socket Cap Screw, Stainless Steel: M8 x 25
<b>Recessed Screw</b>	No
<b>Approximate Weight</b>	12.90 oz
<b>UPC Code</b>	044861993712
<b>Downloads</b>	<a href="#">Catalog Page</a>

## Competitor Part Number

<b>Alternate Part Number</b>	0404484
	101969837
	175D25658
	1SM045
	2337127
	2758464
	2774618
	2ALT9
	3045538
	M1C45S
	MCL45SS
	MCL-45-SS