

**Climax Metal Products Company**

8141 Tyler Boulevard
Mentor, Ohio 44060
USA

Toll free: 800-542-6552

Phone: 440-585-0300

Fax: 800-860-5553

Email: sales@climaxmetal.com

Website: www.climaxmetal.com

ITEM # H2C-243-S, TWO-PIECE CLAMPING COLLAR RECESSED SCREW H2C-SERIES

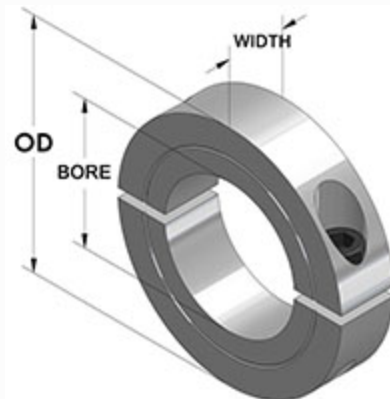
Stainless Steel Two-Piece Clamping Collar - Recessed Screw Head. Recessed Screw Head provides an outside surface free of major projections for safety. Design fully engages the shaft without marring. Easily installed where major disassembly would otherwise be required. Greater axial holding power than set screw collars. Effective on hard & soft shafts.



[Drawing](#) | [Specifications](#) |

Drawing

Dimensional Drawing



Two-Piece Clamping Collar Recessed Screw

Specifications

Bore	2 7/16 in
OD	4 in
Width	3/4 in
Style	Two-Piece Clamp
Material	Stainless Steel, ASTM A582
Finish	Plain
Clamp Screw	Hex Socket Cap Screw, 3A Thread, Stainless Steel, ASTM F837: 3/8-24 x 1
Recessed Screw	Yes
Approximate Weight	12.90 oz
UPC Code	044861963609
Downloads	Catalog Page

Competitor Part Number

Alternate Part Number	0404414 102022235 175D03450 214524 214525 2998738 2S207 H2C243S
------------------------------	--