

**Climax Metal Products Company**

8141 Tyler Boulevard  
Mentor, Ohio 44060  
USA

Toll free: 800-542-6552

Phone: 440-585-0300

Fax: 800-860-5553

Email: [sales@climaxmetal.com](mailto:sales@climaxmetal.com)

Website: [www.climaxmetal.com](http://www.climaxmetal.com)

## ITEM # 2CC-137-100, TWO-PIECE CLAMPING COUPLINGS RECESSED SCREW 2CC-SERIES

Black Oxide Plated Steel Two-Piece Clamping Coupling - Recessed Screw Heads. Recessed Screw Head provides an outside surface free of major projections for safety. Easily installed where major disassembly would otherwise be required. Does not mar the shaft.

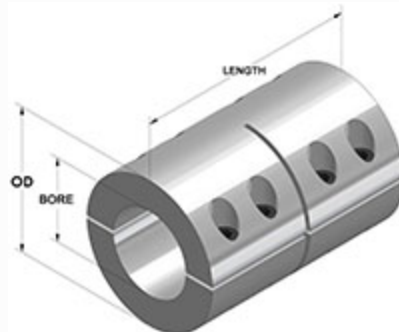
[View Catalog Page](#)



[Drawing](#) | [Specifications](#) |

Drawing

Dimensional Drawing



## Two-Piece Clamping Coupling with Recessed Screw

## Specifications

<b>Bore</b>	1 3/8 in
<b>2nd Bore</b>	1 in
<b>OD</b>	2 3/8 in
<b>Length</b>	3 5/8 in
<b>Style</b>	Two-Piece Clamp
<b>Material</b>	Steel, ASTM A108
<b>Finish</b>	Black Oxide
<b>Clamp Screw</b>	Hex Socket Cap Screw, 3A Thread, Steel, ASTM A574: 1/4-28 x 3/4
<b>Recessed Screw</b>	Yes
<b>Approximate Weight</b>	45.20 oz
<b>UPC Code</b>	044861263006
<b>Downloads</b>	<a href="#">Catalog Page</a>

## Competitor Part Number

<b>Alternate Part Number</b>	0403160 101782753 1571010 175D49489 243491 243629 2CC137100 5L106100F
------------------------------	--