



Climax Metal Products Company

8141 Tyler Boulevard
Mentor, Ohio 44060
USA

Toll free: 800-542-6552

Phone: 440-585-0300

Fax: 800-860-5553

Email: sales@climaxmetal.com

Website: www.climaxmetal.com

ITEM # M1C-60-S, METRIC ONE-PIECE CLAMPING COLLAR M1C-SERIES

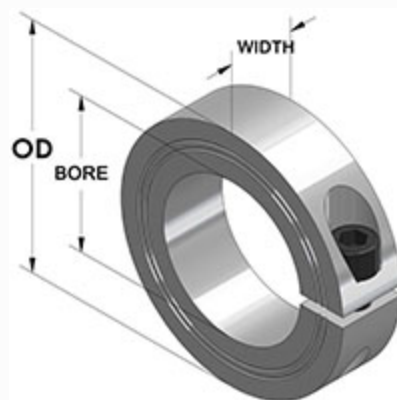
Stainless Steel Metric One-Piece Clamping Collar. Design fully engages the shaft without marring. Greater axial holding power than set screw collars. Effective on hard & soft shafts.



[Drawing](#) | [Specifications](#) |

Drawing

Dimensional Drawing



Metric One-Piece Clamping Collar

Specifications

Bore	60 mm
OD	3 1/2 in
Width	19 mm
Style	One-Piece Clamp
Material	Stainless Steel, ASTM A582
Finish	Plain
Clamp Screw	Hex Socket Cap Screw, Stainless Steel: M8 x 25
Recessed Screw	No
Approximate Weight	16.20 oz
UPC Code	044861610855
Downloads	Catalog Page

Competitor Part Number

Alternate Part Number	101808480
	1571447
	175D40951
	1SM060
	2337138
	2391838
	2ALW8
	8699180
	M1C60S
	MCL60SS
	MCL-60-SS