



### Climax Metal Products Company

8141 Tyler Boulevard  
Mentor, Ohio 44060  
USA

Toll free: 800-542-6552

Phone: 440-585-0300

Fax: 800-860-5553

Email: [sales@climaxmetal.com](mailto:sales@climaxmetal.com)

Website: [www.climaxmetal.com](http://www.climaxmetal.com)

## ITEM # 2C-212-S, TWO-PIECE, CLAMPING COLLAR- 2C-SERIES

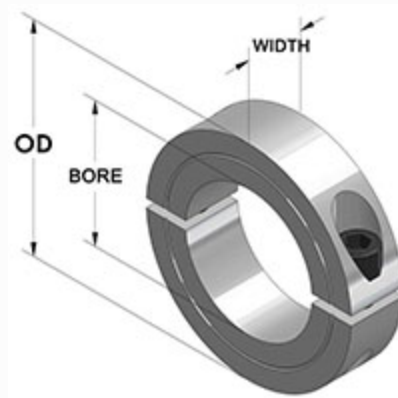
Stainless Steel Two-Piece Clamping Collar. Design fully engages the shaft without marring. Easily installed where major disassembly would otherwise be required. Greater axial holding power than set screw or one-piece clamping collars. Effective on hard & soft shafts.



[Drawing](#) | [Specifications](#) |

### Drawing

### Dimensional Drawing



Two-Piece Clamping Collar

## Specifications

<b>Bore</b>	2 1/8 in
<b>OD</b>	3 1/4 in
<b>Width</b>	3/4 in
<b>Style</b>	Two-Piece Clamp
<b>Material</b>	Stainless Steel, ASTM A582
<b>Finish</b>	Plain
<b>Clamp Screw</b>	Hex Socket Cap Screw, 3A Thread, Stainless Steel, ASTM F837: 5/16-24 x 1
<b>Recessed Screw</b>	No
<b>Approximate Weight</b>	15.00 oz
<b>UPC Code</b>	044861125441
<b>Downloads</b>	<a href="#">Catalog Page</a>

## Competitor Part Number

<b>Alternate Part Number</b>	0403784
	101783766
	1571050
	175D49220
	243217
	2758406
	2APW6
	2C212S
	5760078
	6436K105
	75241489
	8S202
	SP34SS
	SP-34-SS