

**Climax Metal Products Company**

8141 Tyler Boulevard  
Mentor, Ohio 44060  
USA

Toll free: 800-542-6552

Phone: 440-585-0300

Fax: 800-860-5553

Email: [sales@climaxmetal.com](mailto:sales@climaxmetal.com)

Website: [www.climaxmetal.com](http://www.climaxmetal.com)

## ITEM # 2CC-137-100-KW, TWO-PIECE CLAMPING COUPLINGS RECESSED SCREW W/KEYWAY 2CC-SERIES

Black Oxide Plated Steel Two-Piece Clamping Coupling with Keyway - Recessed Screw Heads. Recessed Screw Head provides an outside surface free of major projections for safety. Easily installed where major disassembly would otherwise be required. Does not mar the shaft.

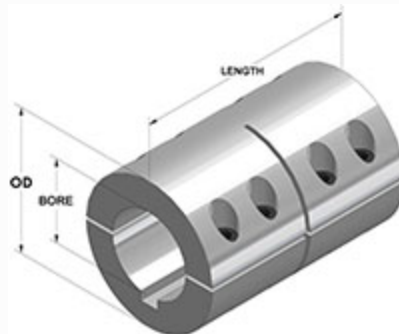
[View Catalog Page](#)



[Drawing](#) | [Specifications](#) |

Drawing

Dimensional Drawing



## Two-Piece Clamping Coupling with Recessed Screw with Keyway

## Specifications

|                           |   |
|---------------------------|---|
| <b>Bore</b>               | 1 3/8 in  |
| <b>2nd Bore</b>           | 1 in  |
| <b>OD</b>                 | 2 3/8 in  |
| <b>Length</b>             | 3 5/8 in  |
| <b>Style</b>              | Two-Piece Clamp   |
| <b>Keyway Size</b>        | 5/16 x 5/32 in  |
| <b>Material</b>           | Steel, ASTM A108  |
| <b>Finish</b>             | Black Oxide   |
| <b>Clamp Screw</b>        | Hex Socket Cap Screw, 3A Thread, Steel, ASTM A574: 1/4-28 x 3/4 |
| <b>Recessed Screw</b>     | Yes   |
| <b>Approximate Weight</b> | 45.20 oz  |
| <b>UPC Code</b>           | 044861260371  |
| <b>Downloads</b>          | <a href="#">Catalog Page</a>                                    |

## Competitor Part Number

|                              |  |
|------------------------------|--|
| <b>Alternate Part Number</b> | 0403812<br>101808287<br>1571384<br>175D50548<br>2393056<br>2CC137100KW<br>5L106100FK |
|------------------------------|--|