



Climax Metal Products Company

8141 Tyler Boulevard
Mentor, Ohio 44060
USA

Toll free: 800-542-6552

Phone: 440-585-0300

Fax: 800-860-5553

Email: sales@climaxmetal.com

Website: www.climaxmetal.com

ITEM # M1C-65-S, METRIC ONE-PIECE CLAMPING COLLAR M1C-SERIES

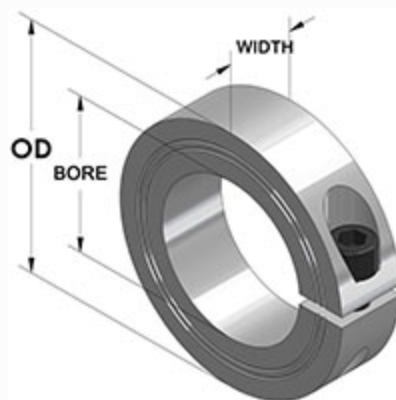
Stainless Steel Metric One-Piece Clamping Collar. Design fully engages the shaft without marring. Greater axial holding power than set screw collars. Effective on hard & soft shafts.



[Drawing](#) | [Specifications](#) |

Drawing

Dimensional Drawing



Metric One-Piece Clamping Collar

Specifications

Bore	65 mm
OD	3 3/4 in
Width	19 mm
Style	One-Piece Clamp
Material	Stainless Steel, ASTM A582
Finish	Plain
Clamp Screw	Hex Socket Cap Screw, Stainless Steel: M8 x 25
Recessed Screw	No
Approximate Weight	16.80 oz
UPC Code	044861993552
Downloads	Catalog Page

Competitor Part Number

Alternate Part Number	0404489
	101946225
	175D25670
	1SM065
	2337139
	2758467
	2774622
	8699181
	M1C65S
	MCL65SS
	MCL-65-SS