

**Climax Metal Products Company**

8141 Tyler Boulevard
Mentor, Ohio 44060
USA

Toll free: 800-542-6552

Phone: 440-585-0300

Fax: 800-860-5553

Email: sales@climaxmetal.com

Website: www.climaxmetal.com

ITEM # C-543, SET SCREW COLLAR C-SERIES

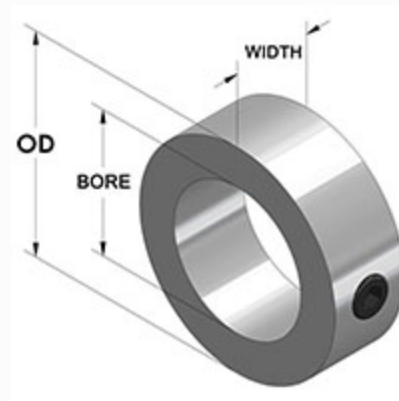
Zinc Plated Steel Set Screw Collar. Traditional cost effective collar design.



[Drawing](#) | [Specifications](#) |

Drawing

Dimensional Drawing



Set Screw Collar

Specifications

Bore	5 7/16 in
OD	6 1/2 in
Width	1 1/4 in
Style	Set Screw
Material	Steel, ASTM A108
Finish	Zinc Plated
Set Screw	Hex Socket Set Screw, 3A Thread, Steel, ASTM F912: 1/2-13 x 1/2
Approximate Weight	55.00 oz
UPC Code	044861000700
Downloads	Catalog Page

Competitor Part Number

Alternate Part Number	0403396 101783459 1570497 175D08441 228080 6L507P2 C543 SC-87-FZ
------------------------------	---