

**Climax Metal Products Company**

8141 Tyler Boulevard

Mentor, Ohio 44060

USA

Toll free: 800-542-6552

Phone: 440-585-0300

Fax: 800-860-5553

Email: [sales@climaxmetal.com](mailto:sales@climaxmetal.com)Website: [www.climaxmetal.com](http://www.climaxmetal.com)

## ITEM # M1C-75-S, METRIC ONE-PIECE CLAMPING COLLAR M1C-SERIES

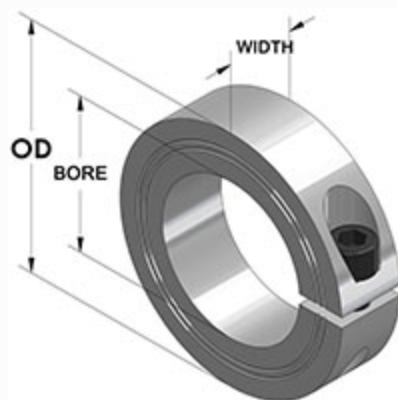
Stainless Steel Metric One-Piece Clamping Collar. Design fully engages the shaft without marring. Greater axial holding power than set screw collars. Effective on hard & soft shafts.



[Drawing](#) | [Specifications](#) |

### Drawing

#### Dimensional Drawing



Metric One-Piece Clamping Collar

## Specifications

<b>Bore</b>	75 mm
<b>OD</b>	4 1/4 in
<b>Width</b>	19 mm
<b>Style</b>	One-Piece Clamp
<b>Material</b>	Stainless Steel, ASTM A582
<b>Finish</b>	Plain
<b>Clamp Screw</b>	Hex Socket Cap Screw, Stainless Steel: M8 x 25
<b>Recessed Screw</b>	No
<b>Approximate Weight</b>	19.50 oz
<b>UPC Code</b>	044861993583
<b>Downloads</b>	<a href="#">Catalog Page</a>

## Competitor Part Number

<b>Alternate Part Number</b>	0404491
	101969838
	175D25674
	1SM075
	2337143
	2758469
	2774625
	2ALZ5
	8699185
	M1C75S
	MCL75SS
	MCL-75-SS