

**Climax Metal Products Company**

8141 Tyler Boulevard

Mentor, Ohio 44060

USA

Toll free: 800-542-6552

Phone: 440-585-0300

Fax: 800-860-5553

Email: sales@climaxmetal.comWebsite: www.climaxmetal.com

ITEM # M2C-80-S, METRIC TWO-PIECE CLAMPING COLLAR M2C-SERIES

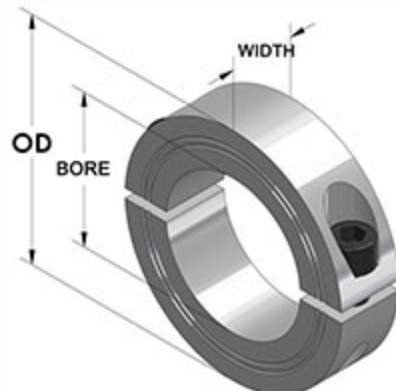
Stainless Steel Metric Two-Piece Clamping Collar. Design fully engages the shaft without marring. Easily installed where major disassembly would otherwise be required. Greater axial holding power than set screw or one-piece clamping collars. Effective on hard & soft shafts.



[Drawing](#) | [Specifications](#) |

Drawing

Dimensional Drawing



Metric Two-Piece Clamping Collar

Specifications

Bore	80 mm
OD	4 1/4 in
Width	19 mm
Style	Two-Piece Clamp
Material	Stainless Steel, ASTM A582
Finish	Plain
Clamp Screw	Hex Socket Cap Screw, Stainless Steel, Metric: M8 x 25
Recessed Screw	No
Approximate Weight	19.70 oz
UPC Code	044861993040
Downloads	Catalog Page

Competitor Part Number

Alternate Part Number	0404527
	101951888
	175D26014
	2337498
	2758491
	2774639
	2ANN8
	2SM080
	8699311
	MSP80SS
	MSP-80-SS