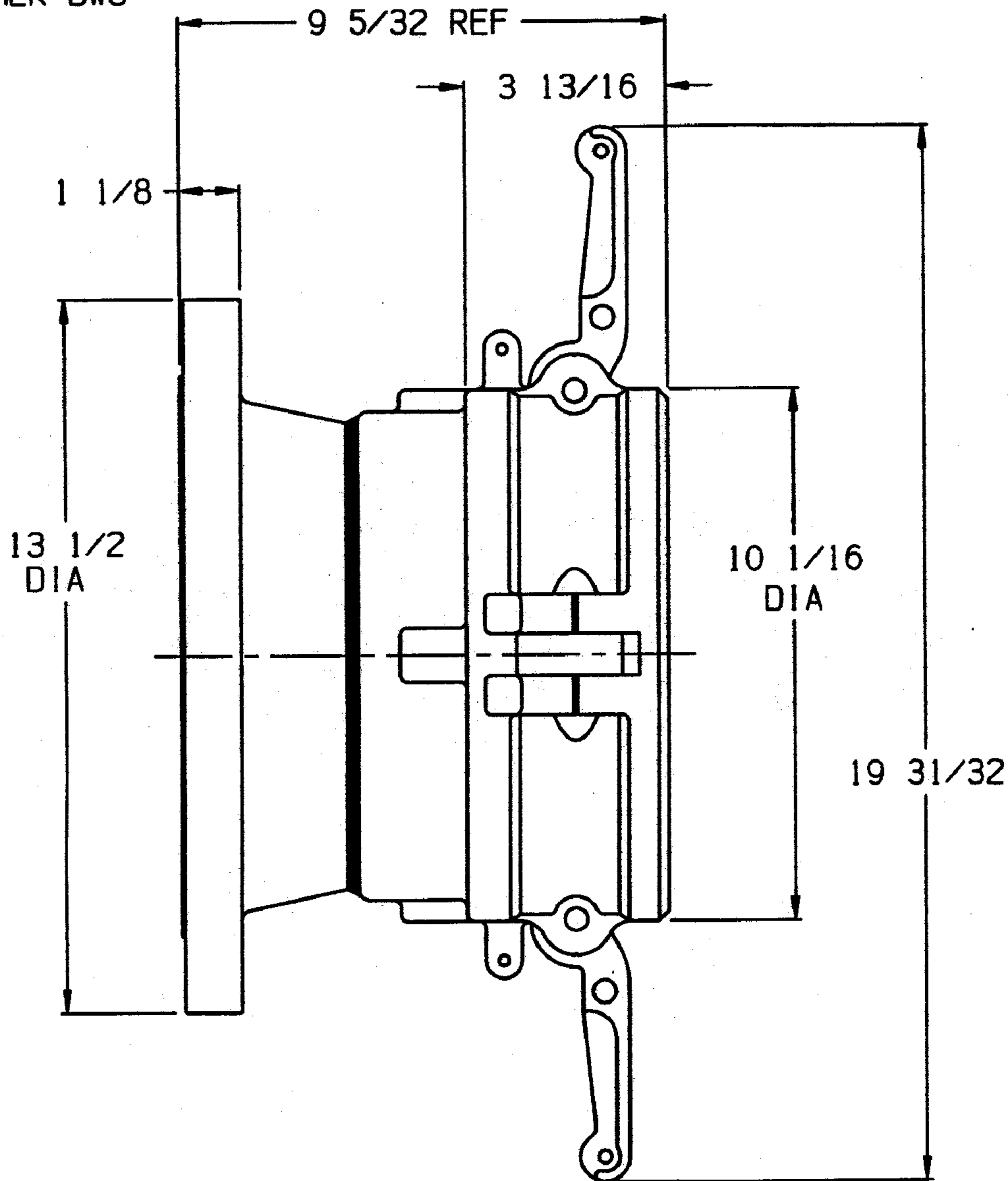


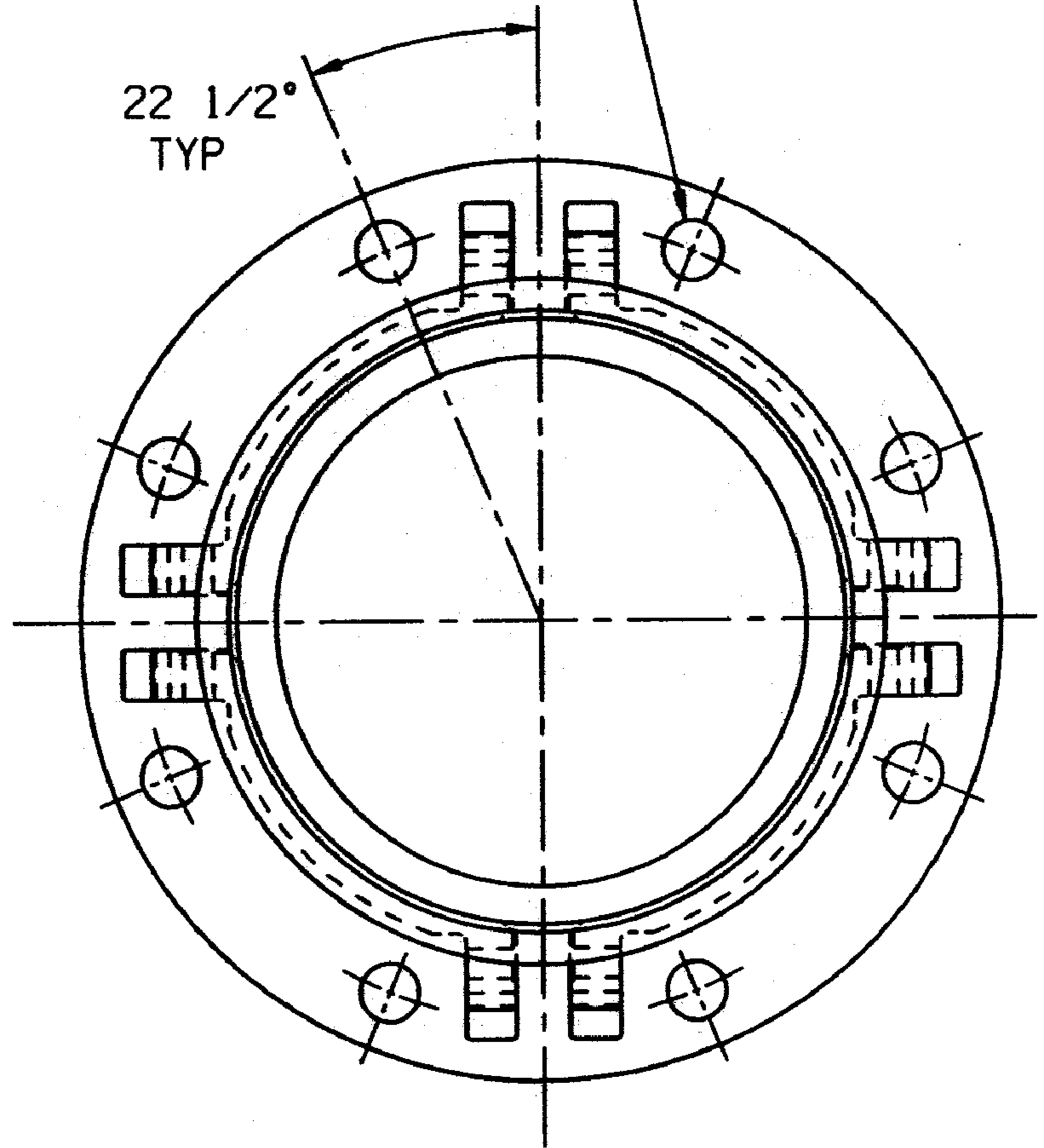
812536

6/10/09

CUSTOMER DWG



7/8 DIA THRU  
 TYP 8 PLACES  
 EQUALLY SPACED ON A  
 11 3/4 DIA BOLT CIRCLE



800-DL-AL

CUSTOMER DWG

AGREEMENT TO MAINTAIN CONFIDENTIALITY

This drawing is owned by Dixon Valve & Coupling Co. and shall be returned upon demand. It is loaned on condition that it shall not be copied or reproduced or submitted to others without the owners consent. In accepting it subject to this condition the recipient further agrees that this drawing or any design detail or concept disclosed herein shall not be used in any way detrimental to or in competition with the Owner. If the recipient does not agree to the terms of this agreement, they shall return this drawing immediately.



**DIXON VALVE & COUPLING CO.**  
 U. S. A.

TITLE			800-DL-AL		
			8" COUPLER x 150# ASA FLANGE		
DRAWN BY:	CHECKED BY:	APPROVAL:			
03/14/01	MDS	JJB			
MAT'L					
ALUMINUM			812536		