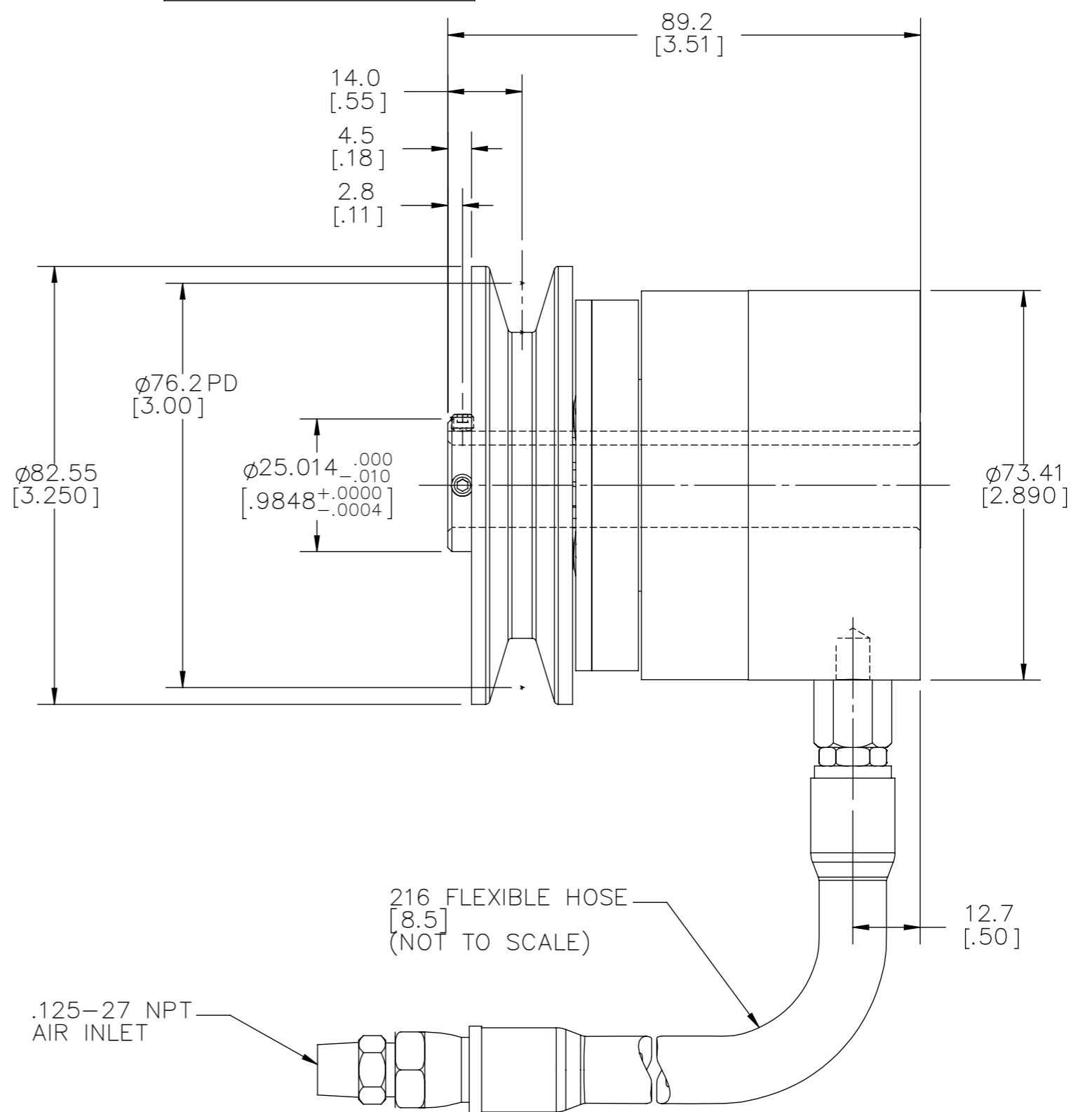
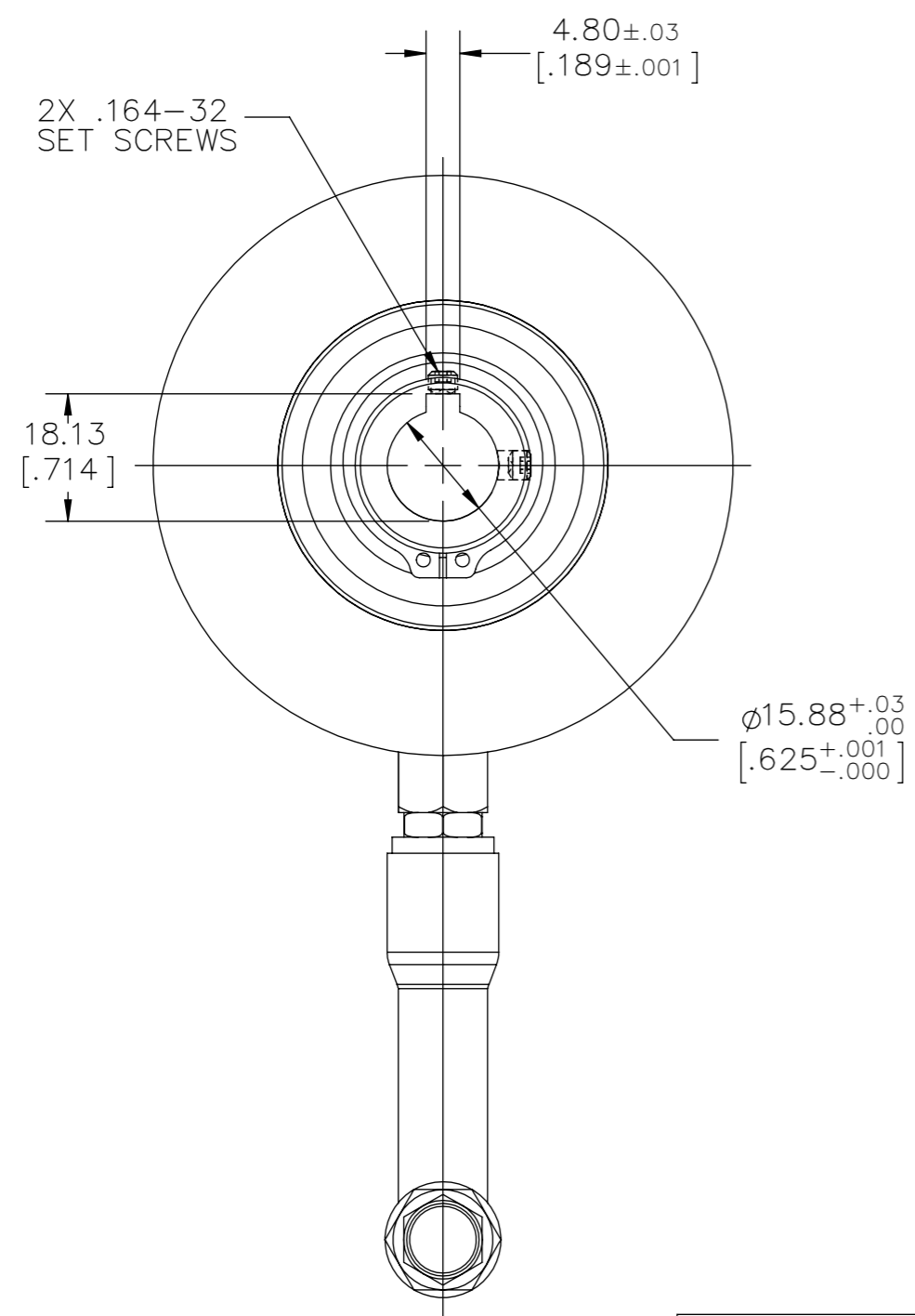


B-802872S



GEOMETRIC TOLERANCE VALUES		THIRD ANGLE PROJECTION	
MM	INCH		
.013	.0005	SURFACE ROUGHNESS VALUES μm μin	
.03	.001		
.05	.002	6.3	250
.08	.003	3.2	125
.13	.005	1.6	63
.20	.008	0.8	32
.25	.010	0.4	16
.38	.015	0.2	8

- UNLESS OTHERWISE SPECIFIED
- METRIC TOLERANCES: X ±0.8; .X ±0.5; .XX ±0.13
INCH TOLERANCES: .XX ±.02; .XXX ±.005
 - ANGLES ±.5°
 - PRIMARY DIMENSIONS ARE IN MM
SECONDARY DIMENSIONS ARE IN INCHES
 - DO NOT SCALE DWG - WORK TO DIMS
 - PRODUCT MUST CONFORM TO ENGINEERING STANDARD WORK INSTRUCTIONS

nexen Nexen Group, Inc.

TITLE GENERAL DIMENSIONS			
MODEL B-275*0.625,1'A' GRV,03.00 PD			
		20568	12/5/2014
		ERO	ECO
		DATE	
DWN	TGH	DATE 8/4/2011	SCALE: 1:1 <input checked="" type="checkbox"/>
CHKD	CDV	DATE 8/4/2011	SHEET 1 OF 1
APVD	IKK	DATE 8/5/2011	REV D

B-802872S