

1 2 3 4 5 6 7 8

A

B

C

D

E

F

A

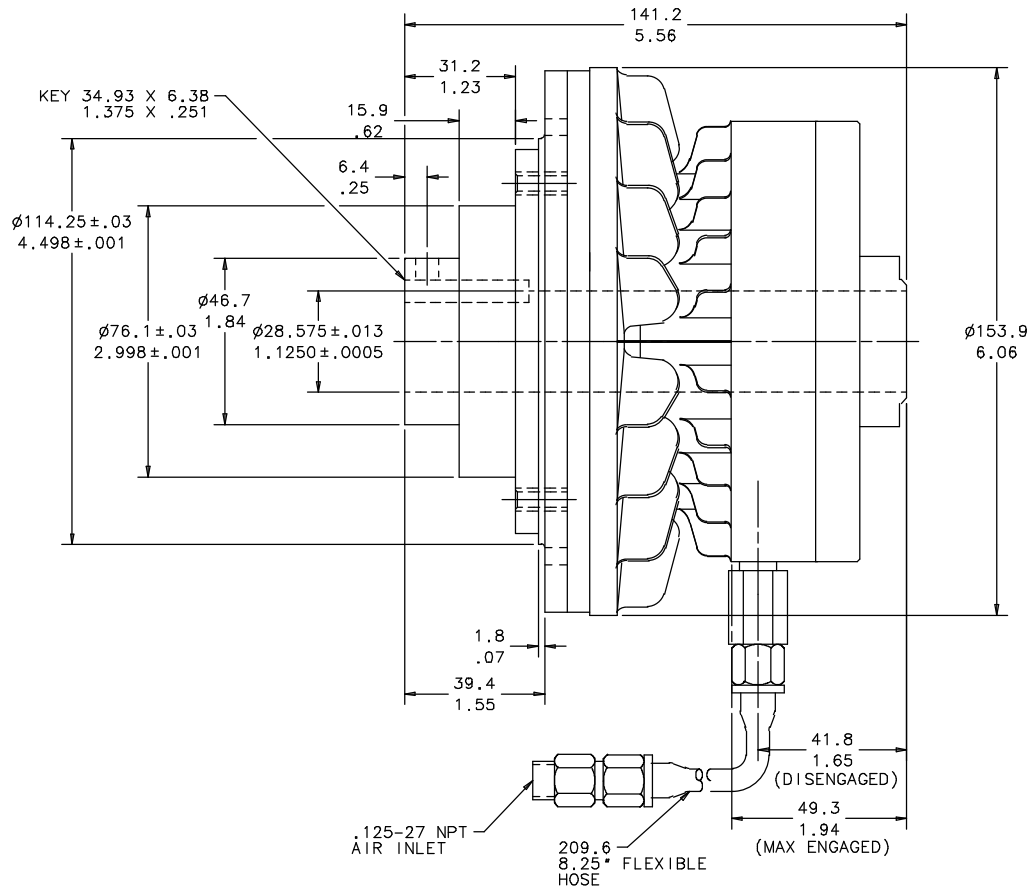
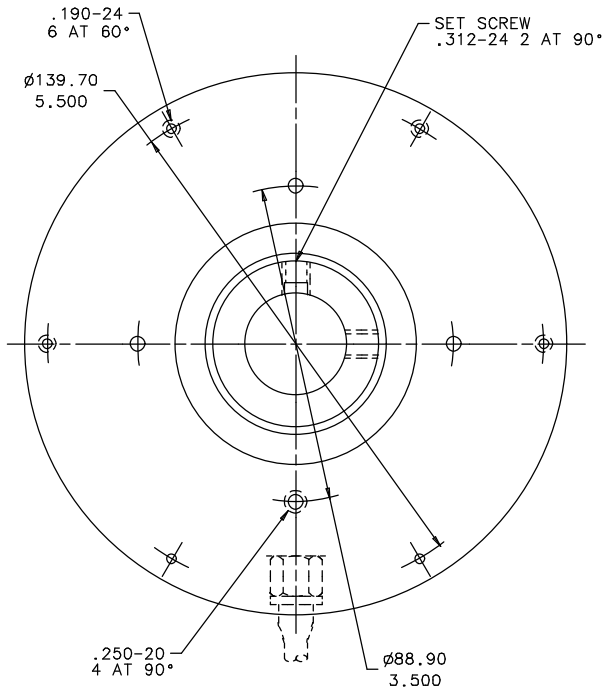
B

C

D

E

F



C-805270S

GEOMETRIC TOLERANCE VALUES		THIRD ANGLE PROJECTION		UNLESS OTHERWISE SPECIFIED	
MM	INCH			1. SURFACE TEXTURE: ✓	
.013	.0005			2. METRIC TOLERANCES: X ±0.8; .X ±0.5;	
.03	.001			.XX ±0.13	
.05	.002			INCH TOLERANCES: .XX ±.02; .XXX ±.005	
.08	.003			3. ANGLES ±.5°	
.13	.005	6.3	250	4. PRIMARY DIMENSIONS ARE IN MM	
.20	.008	3.2	125	SECONDARY DIMENSIONS ARE IN INCHES	
.25	.010	1.6	63	5. REMOVE ALL BURRS AND SHARP EDGES	
.38	.015	0.8	32	6. DO NOT SCALE DWG - WORK TO DIMS	
		0.4	16	7. PART MUST CONFORM TO ENGINEERING STANDARD WORK INSTRUCTIONS	
		0.2	8		

**nexen** Nexen Group, Inc.

TITLE GENERAL DIMENSIONS

MODEL L-600

MATL #	A 14370	02-02-00
REV	ECO	ERO
DATE	02-02-00	DATE
DWN	KGC	DATE 02-02-00
CHKD	CDV	DATE 02-02-00
APVD	AM	DATE 02-02-00

SCALE: NONE WAS 2600

SHEET 1 OF 1

C-805270S

1 2 3 4 5 6 7 8