

PE145TC-1-6C

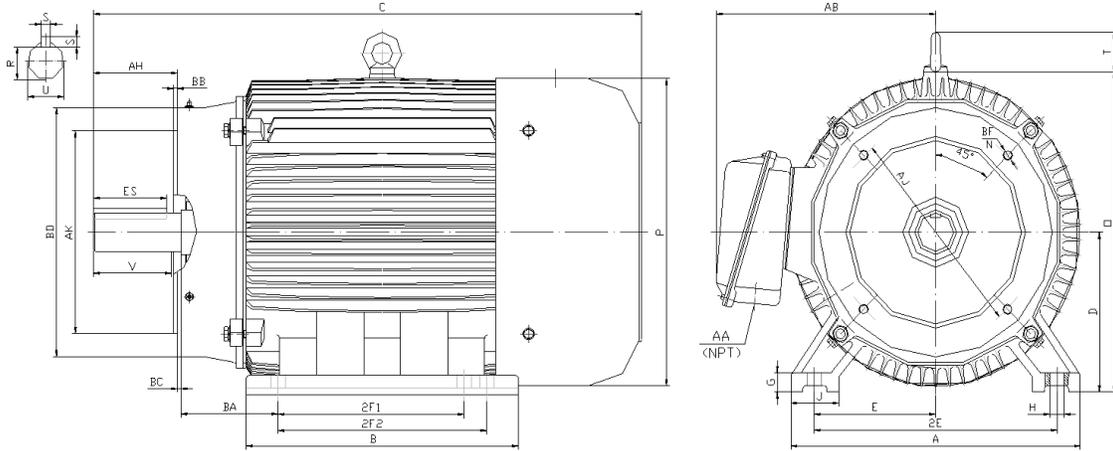
GENERAL PURPOSE ELECTRIC MOTOR

NEMA PREMIUM EFFICIENCY

THREE PHASE, TOTALLY ENCLOSED FAN COOLED - C-FLANGE W/ FEET

INVERTER DUTY 10:1 CT; 20:1 VT - NEMA MG1 PART 31

Factory Certified for T2B Class I, Division II, Groups A,B,C & D and Class II, Division II, Groups F & G



DIMENSIONS

HP	RPM	Frame	MOUNTING														
			A	B	C	D	G	H	J	E	2E	2F1	2F2	O	P	T	BA
1	1200	145TC	7.00	7.20	14.60	3.50	0.50	0.34	1.40	2.75	5.50	4.00	5.00	7.10	6.95	0.00	2.25

FLANGE							Shaft Extension, Key Set						Conduit Box		Bearings		Mount
AH	AJ	AK	BB	BC	BD	BF	U	V	R	S	ES	N-W	AA	AB	DE	ODE	
2.12	5.875	4.50	0.16	0.12	6.50	4*3/8-16	0.875	2	0.771	0.188	1.41	NA	0.75	6.10	6205-ZZ	6205-ZZ	F1

BEARING LUBRICATION: The bearings come lubricated with Mobil Polyrex EM Polyurea Grease.





PE145TC-1-6C

GENERAL PURPOSE ELECTRIC MOTOR

NEMA PREMIUM EFFICIENCY

THREE PHASE, TOTALLY ENCLOSED FAN COOLED - C-FLANGE W/ FEET

INVERTER DUTY 10:1 CT; 20:1 VT - NEMA MG1 PART 31

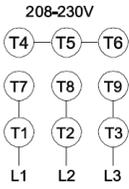
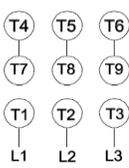
Factory Certified for T2B Class I, Division II, Groups A,B,C & D and Class II, Division II, Groups F & G

PERFORMANCE DATA

HP	RPM	Frame	Voltage	Frequency (Hz)	Full Load S.F.	Insulation Class	NEMA Design	Slip (%)	NEMA Code	Enclosure Type	IP Rating	Max. Ambient
1	1160	145TC	208-230/460	60	1.15	F	C	3.3	M	TEFC	55	40° C

Amps (460V)		Efficiency (%)				Power Factor			Torque (ft-lb)			DE Bearing	ODE Bearing	Connection	Weight (lbs.)
FLA	LRA	100%	75%	50%	Min.	100%	75%	50%	FLT	LRT %	BDT %	6205-ZZ	6205-ZZ	9 Lead 2Y/Y	60
1.8	15.0	82.5	81.0	79.0	80.0	0.620	0.540	0.430	4.6	260	300				

NAME PLATE

 										CONNECTION DIAGRAMS 208-230V 						
CAT NO:		PE145TC-1-6C			FRAME			145TC					PHASE		3	
HZ	60	S.F.	1.15	HZ	50	S.F.	1.0	ENCL	TEFC	IP	55	460V 				
HP	1	RPM	1160	HP	1	RPM	950	DUTY	CONT	DES	C					
VOLTS		208-230/460			VOLTS			190/380		AMB	40° C	INS	F	MOTOR WEIGHT 60 LBS CONNECTION 9 Lead 2Y/Y SER NO		
FLA	4 - 3.6 / 1.8			FLA			4.0/2.0		DE BEARING			6205-ZZ				
CODE	M	P.F.	0.62	CODE	K	P.F.	0.69	ODE BEARING				6205-ZZ		General purpose use on industrial machinery installed in damp, dusty or dirty environments. ISO9001 CERTIFIED CE SP US CC 082A Hernando, Mississippi		
EFF	82.5	MIN	80.0	EFF	80.5	MIN	78	LUB:				Mobil Polyrex EM				

APPLICATIONS:

General purpose use on pumps, fans, blowers, compressors, conveyors, material handling and other industrial machinery installed in damp, dusty or dirty environments.