



PE213TC-3-6C

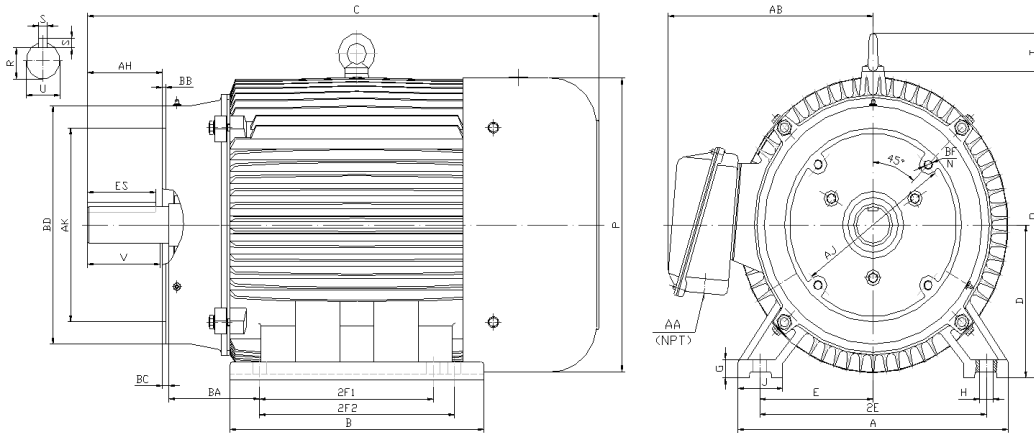
GENERAL PURPOSE ELECTRIC MOTOR

NEMA PREMIUM EFFICIENCY

THREE PHASE, TOTALLY ENCLOSED FAN COOLED - C-FLANGE W/ FEET

INVERTER DUTY 10:1 CT; 20:1 VT - NEMA MG1 PART 31

Factory Certified for T2B Class I, Division II, Groups A,B,C & D and Class II, Division II, Groups F & G



DIMENSIONS

HP	RPM	Frame	MOUNTING														
			A	B	C	D	G	H	J	E	2E	2F1	2F2	O	P	T	BA
3	1200	213TC	11.00	7.90	18.90	5.25	0.70	0.41	2.40	4.25	8.50	5.50	0.00	11.20	11.60	1.90	3.50

FLANGE							Shaft Extension, Key Set						Conduit Box		Bearings		Mount
AH	AJ	AK	BB	BC	BD	BF	U	V	R	S	ES	N-W	AA	AB	DE	ODE	
3.12	7.25	8.50	0.25	0.25	9.00	4*1/2-13	1.375	3.12	1.201	0.312	2.41	NA	1.00	9.00	6308-ZZ	6308-ZZ	F1

BEARING LUBRICATION: The bearings come lubricated with Mobil Polyrex EM Polyurea Grease.





PE213TC-3-6C

GENERAL PURPOSE ELECTRIC MOTOR

NEMA PREMIUM EFFICIENCY

THREE PHASE, TOTALLY ENCLOSED FAN COOLED - C-FLANGE W/ FEET

INVERTER DUTY 10:1 CT; 20:1 VT - NEMA MG1 PART 31

Factory Certified for T2B Class I, Division II, Groups A,B,C & D and Class II, Division II, Groups F & G

PERFORMANCE DATA

HP	RPM	Frame	Voltage	Frequency (Hz)	Full Load S.F.	Insulation Class	NEMA Design	Slip (%)	NEMA Code	Enclosure Type	IP Rating	Max. Ambient
3	1185	213TC	208-230/460	60	1.15	F	C	1.3	K	TEFC	55	40° C

Amps (460V)		Efficiency (%)				Power Factor			Torque (ft-lb)			DE Bearing	ODE Bearing	Connection	Weight (lbs.)
FLA	LRA	100%	75%	50%	Min.	100%	75%	50%	FLT	LRT %	BDT %				
4.4	32.0	89.5	89.0	87.0	87.5	0.670	0.600	0.480	13.47	250	320	6308-ZZ	6308-ZZ	9 Lead 2Y/Y	139

NAME PLATE

<p>INVERTER DUTY 20:1 VT; 10:1 CT</p>										CONNECTION DIAGRAMS									
CAT NO:		PE213TC-3-6C			FRAME		213TC		PHASE		3		208-230V 						
HZ	60	S.F.	1.15	HZ	50	S.F.	1.0	ENCL	TEFC	IP	55								
HP	3	RPM	1185	HP	3	RPM	980	DUTY	CONT	DES	C	460V 							
VOLTS		208-230/460			VOLTS		190/380		AMB		40° C				INS		F		
FLA		9.2 - 8.8 / 4.4			FLA		10.4/5.2		DE BEARING				6308-ZZ						
CODE		K		P.F.		0.67		CODE		H		P.F.		0.75		ODE BEARING		6308-ZZ	
EFF		89.5		MIN		87.5		EFF		85.5		MIN		83.5		LUB: Mobil Polyrex EM			
MOTOR WEIGHT		139		LBS		CONNECTION		9 Lead 2Y/Y		SER NO									
General purpose use on industrial machinery installed in damp, dusty or dirty environments. Hernando, Mississippi												CC 082A							

APPLICATIONS:

General purpose use on pumps, fans, blowers, compressors, conveyors, material handling and other industrial machinery installed in damp, dusty or dirty environments.