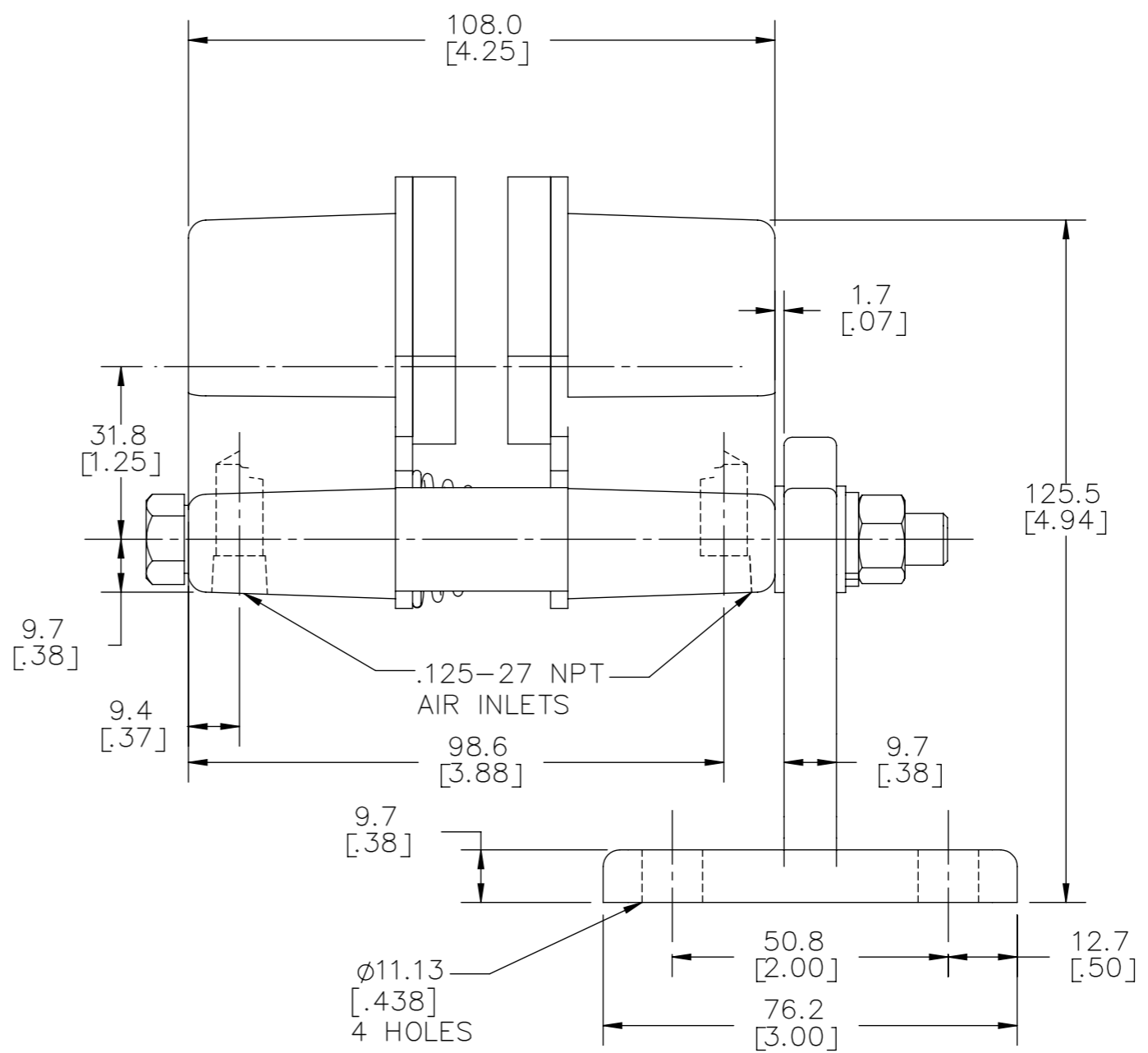
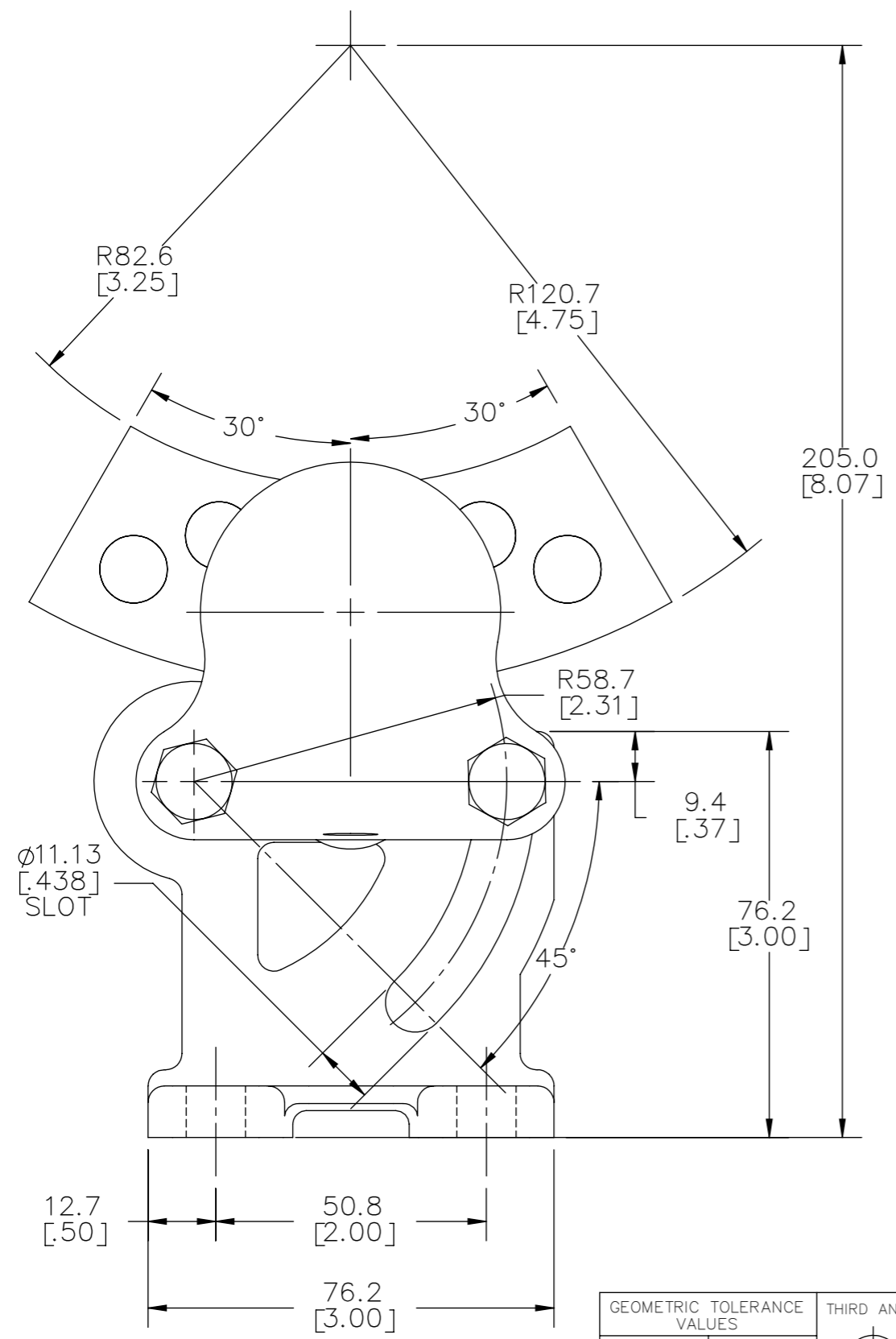


B-835000S



GEOMETRIC TOLERANCE VALUES		THIRD ANGLE PROJECTION																	
MM	INCH																		
.013	.0005	<table border="1"> <thead> <tr> <th colspan="2">SURFACE ROUGHNESS VALUES</th> </tr> <tr> <th><math>\mu m</math></th> <th><math>\mu in</math></th> </tr> </thead> <tbody> <tr> <td>6.3</td> <td>250</td> </tr> <tr> <td>3.2</td> <td>125</td> </tr> <tr> <td>1.6</td> <td>63</td> </tr> <tr> <td>0.8</td> <td>32</td> </tr> <tr> <td>0.4</td> <td>16</td> </tr> <tr> <td>0.2</td> <td>8</td> </tr> </tbody> </table>		SURFACE ROUGHNESS VALUES		$\mu m$	$\mu in$	6.3	250	3.2	125	1.6	63	0.8	32	0.4	16	0.2	8
SURFACE ROUGHNESS VALUES																			
$\mu m$	$\mu in$																		
6.3	250																		
3.2	125																		
1.6	63																		
0.8	32																		
0.4	16																		
0.2	8																		
.03	.001																		
.05	.002																		
.08	.003																		
.13	.005																		
.20	.008																		
.25	.010																		
.38	.015																		

- UNLESS OTHERWISE SPECIFIED
1. METRIC TOLERANCES: X  $\pm 0.8$ ; .X  $\pm 0.5$ ; .XX  $\pm 0.13$
  2. INCH TOLERANCES: .XX  $\pm 0.02$ ; .XXX  $\pm 0.005$
  3. ANGLES  $\pm 5^\circ$
  4. PRIMARY DIMENSIONS ARE IN MM  
SECONDARY DIMENSIONS ARE IN INCHES
  5. DO NOT SCALE DWG - WORK TO DIMS
  6. PRODUCT MUST CONFORM TO ENGINEERING STANDARD WORK INSTRUCTIONS

**nexen** Nexen Group, Inc.

TITLE GENERAL DIMENSIONS			
MODEL DB*CALIPER, LESS DISC			
		20562	12/3/2014
		ERO	ECO
		DATE	
DWN	TRW	DATE 6/30/2011	SCALE: 7:8 <input checked="" type="checkbox"/>
CHKD	TGH	DATE 6/30/2011	SHEET 1 OF 1
APVD	CDV	DATE 6/30/2011	REV G

B-835000S