

1 2 3 4 5 6 7 8

A

B

C

D

E

F

A

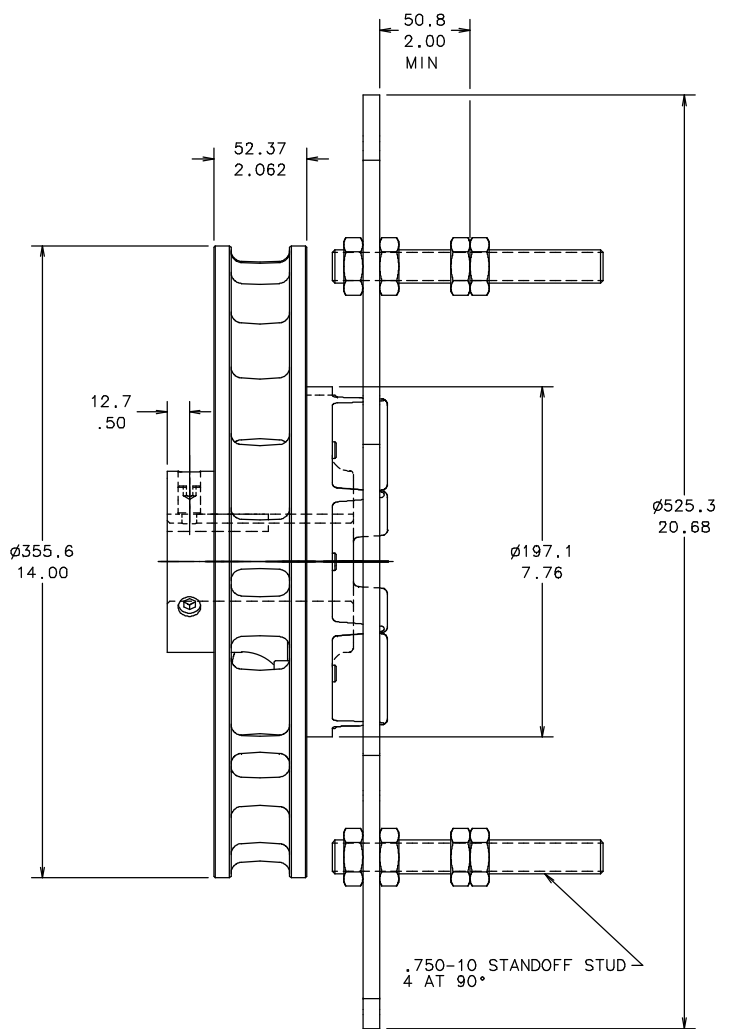
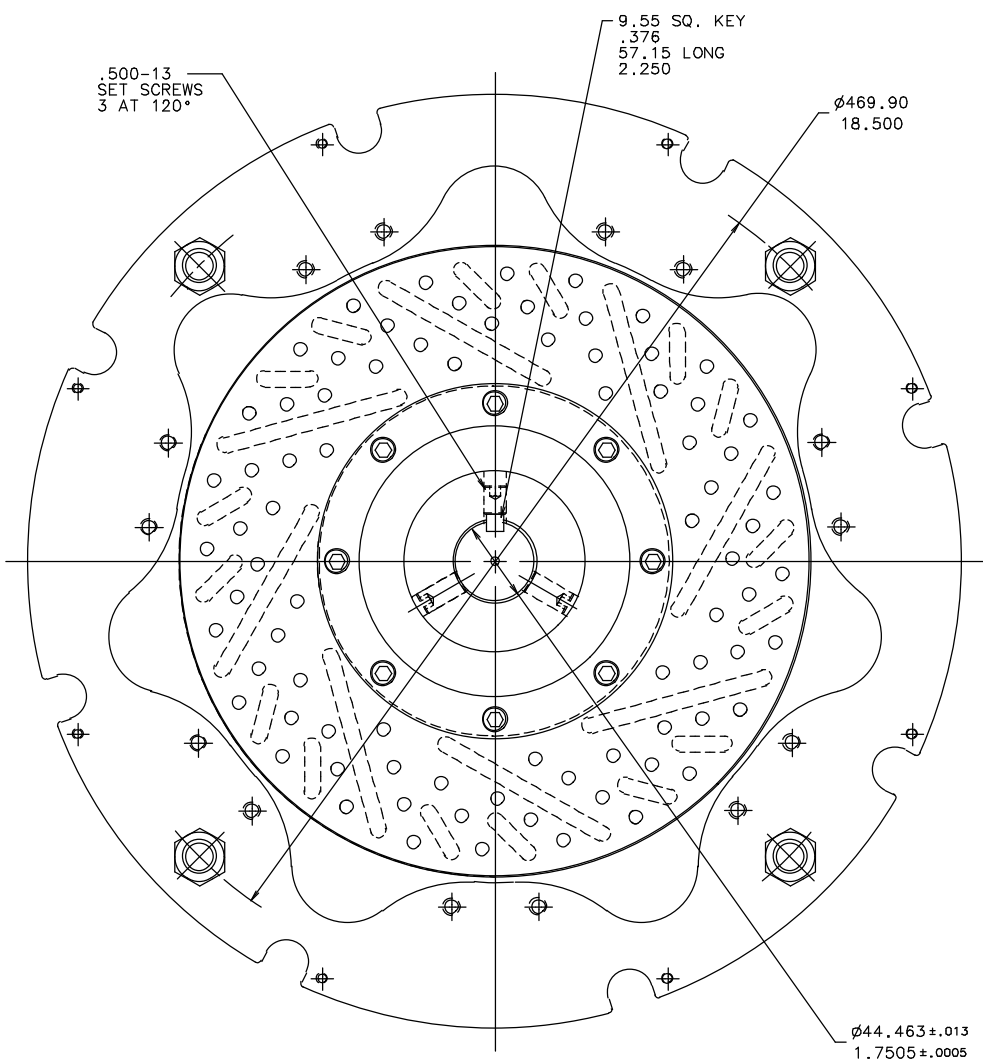
B

C

D

E

F



C-835678S

GEOMETRIC TOLERANCE VALUES		THIRD ANGLE PROJECTION	
MM	INCH		
.013	.0005		
.03	.001		
.05	.002		
.08	.003		
.13	.005	6.3	250
.20	.008	3.2	125
.25	.010	1.6	63
.38	.015	0.8	32
		0.4	16
		0.2	8

- UNLESS OTHERWISE SPECIFIED
1. SURFACE TEXTURE: ✓
 2. METRIC TOLERANCES: X ±0.8; .X ±0.5; .XX ±0.13
 3. INCH TOLERANCES: .XX ±.02; .XXX ±.005
 4. ANGLES ±.5°
 5. PRIMARY DIMENSIONS ARE IN MM
SECONDARY DIMENSIONS ARE IN INCHES
 6. REMOVE ALL BURRS AND SHARP EDGES
 7. DO NOT SCALE DWG - WORK TO DIMS
 8. PART MUST CONFORM TO ENGINEERING STANDARD WORK INSTRUCTIONS

nexen Nexen Group, Inc.

TITLE GENERAL DIMENSIONS

MODEL XTBA-14, 1.750 BORE, CW

MATL #	A	43393		11-01-04
REV	ECO	ERO	DATE	
DWN	SHO	DATE	11-01-04	SCALE: NONE
CHKD	PAR	DATE	11-01-04	WAS
APVD	JJH	DATE	11-01-04	C-835678S

SHEET 1 OF 1

1 2 3 4 5 6 7 8